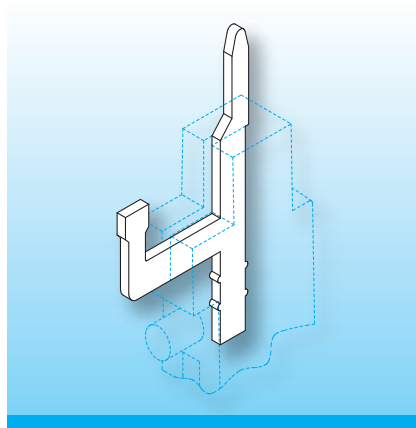


Press-Fit Solder-Tags

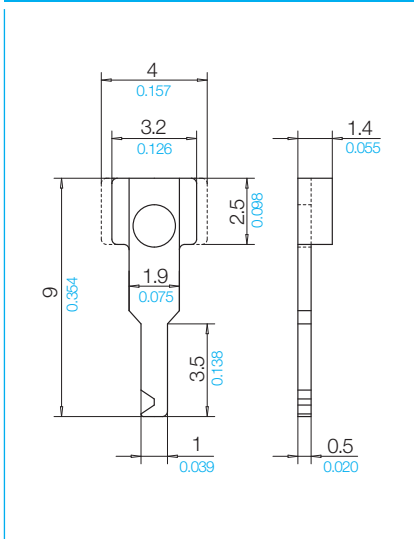
The solder-tags are stamped from strip material and tinned afterwards. A stamped-in "nose" ensures exact positioning into the plastic and good pull-out strength. The wrapping area is slightly slimmer to avoid wire slipping off. Stamped holes are provided to connect external leads.



Special solder-tags can be produced to customers specifications, however, a minimum quantity of 250.000 pieces applies. Special materials and alternative finishes are available on request, dimensions in mm/*inch*.

When ordering please quote type and order-code.

g2f/wb N0616-257  on request



© 06/2011 by NORWE GmbH

All dimensions in mm/inch

The permissible deviations according to DIN 16901 apply as tolerances

Warranties:
refer to Terms and Conditions of Sale

NORWE GmbH

Postfach 13 56
51691 Bergneustadt
Paulstraße 5, Pernze
51702 Bergneustadt

Deutschland

Telefon +49 (0) 27 63-807-0
Telefax +49 (0) 27 63-807-77
E-mail verkauf@norwe.de
Internet www.norwe.de
www.norwe.eu

NORWE Inc.

P.O. Box 25 11
North Canton, OH 44720-0511

United States of America

Telefon +1-330 497-8113
Telefax +1-330 305-0592
E-mail usa@norwe.com
Internet www.norwe.com