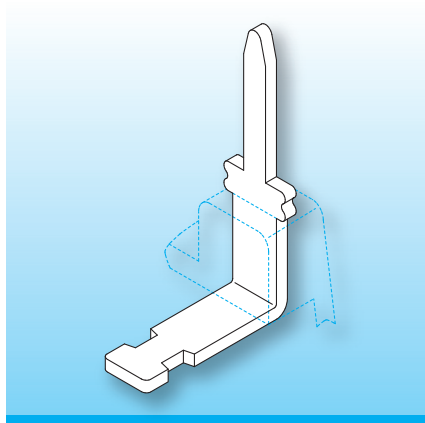


Side-Wrapping Solder-Tags for PCB-Mounting

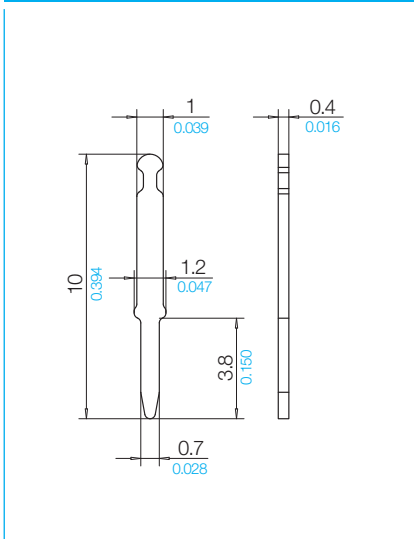
The solder-tags are stamped from strip material and tinned afterwards. The wire-wrapping area is slightly slimmer to avoid wires slipping. At the other end the solder-tags are slightly rounded to allow easier insertion into the pcb.



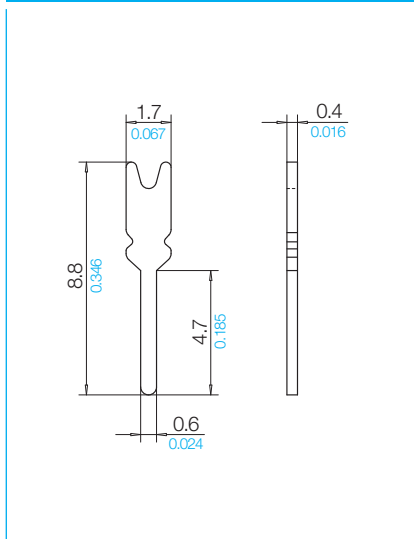
Special pcb-mounting solder-tags can be produced to customers specifications, however, a minimum quantity of 250.000 pieces applies. Special materials and alternative finishes are available on request, dimensions in mm/inch.

When ordering please quote type and order-code.

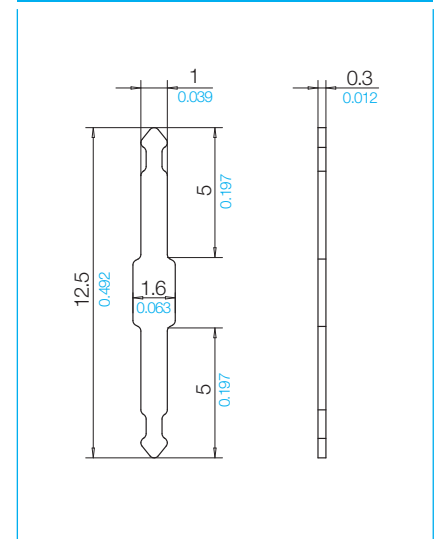
s2/wd 75010-261



s5/wd N0350-261 on request



s10/wc N0606-259 on request



© 06/2016 by NORWE GmbH

Warranties:
refer to Terms and Conditions of Sale

NORWE GmbH

Postfach 13 56
51691 Bergneustadt
Paulstraße 5, Pernze
51702 Bergneustadt
Deutschland

Telefon +49 (0) 27 63-807-0
Telefax +49 (0) 27 63-807-77
E-mail verkauf@norwe.de
Internet www.norwe.de
www.norwe.eu

NORWE Inc.

P.O. Box 25 11
North Canton, OH 44720-0511
United States of America
Telefon +1-330 497-8113
Telefax +1-330 305-0592
E-mail usa@norwe.com
Internet www.norwe.com



Valid version of
data sheet online

QR Online-Version