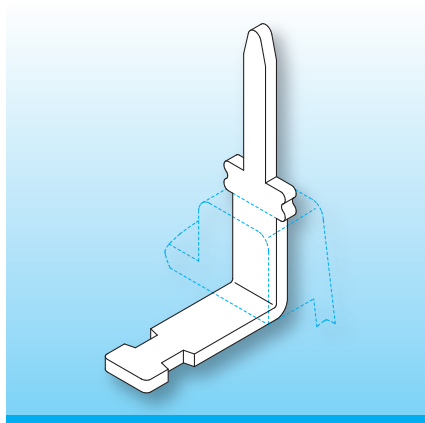


Side-Wrapping Solder-Tags for PCB-Mounting

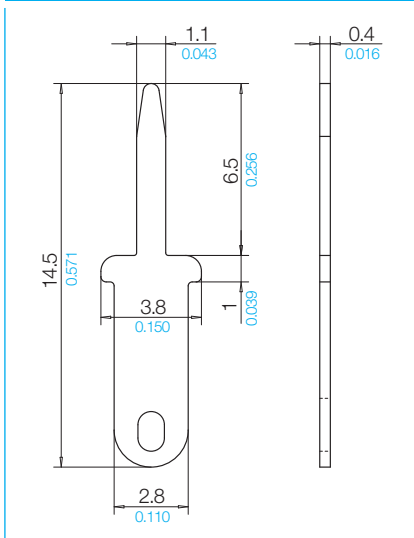
The solder-tags are stamped from strip-material and tinned afterwards. The wire-wrapping area is slightly slimmer to avoid wires slipping. At the other end the solder-tags are slightly rounded to allow easier insertion into the pcb.



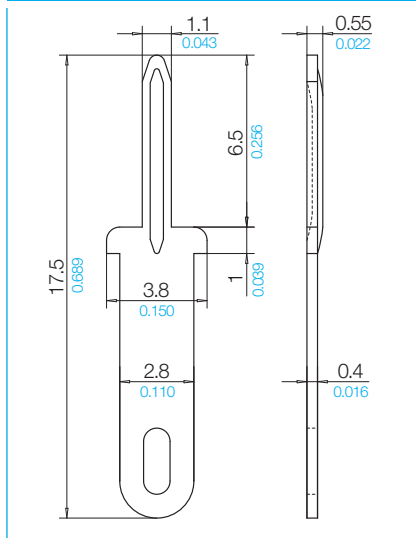
Special pcb-mounting solder-tags can be produced to customers specifications, however, a minimum quantity of 250.000 pieces applies. Special materials and alternative finishes are available on request, dimensions in mm/*inch*.

When ordering please quote type and order-code.

g3s/wb 73000-257



g3e/wc 73012-259



© 05/2022 by NORWE GmbH

All dimensions in mm/inch

The permissible deviations according to DIN 16901 apply as tolerances

Warranties:
refer to Terms and Conditions of Sale



Valid version of data sheet online

QR Online-Version

NORWE GmbH

Paulstraße 5, Pernze
51702 Bergneustadt
Deutschland

Telefon +49 (0) 27 63-807-0
E-mail verkauf@norwe.de
Internet www.norwe.de
www.norwe.eu

NORWE Inc.

P.O. Box 25 11
North Canton, OH 44720-0511
United States of America

Telefon +1-330 497-8113
E-mail usa@norwe.com
Internet www.norwe.com