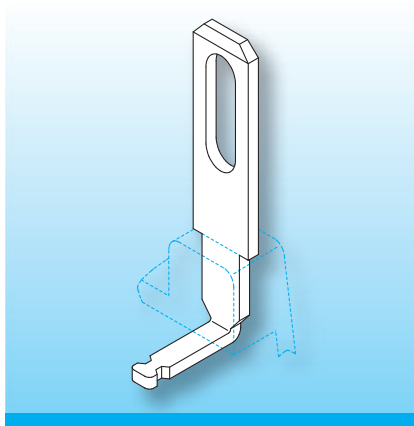


Side-Wrapping Solder-Tags for Cable-Shoes

One side of the solder-tag allows connection of cable-shoes, sizes 2.8-0.5/2.8-0.8/4.8-0.8 and 6.3-0.8. The opposite end has a slimmer section for wire-wrapping. Side-wrapping solder-tags are stamped from strip-material, and are tinned afterwards.

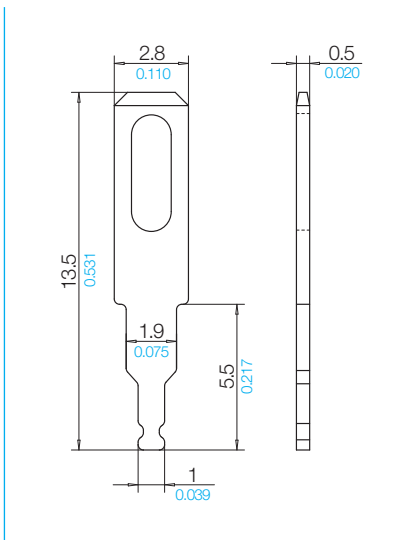


Special tags can be produced to customers specifications, however, a minimum quantity of 250.000 pieces applies. Special materials and alternative finishes are available on request, dimensions in mm/inch.

When ordering please quote type and order-code.

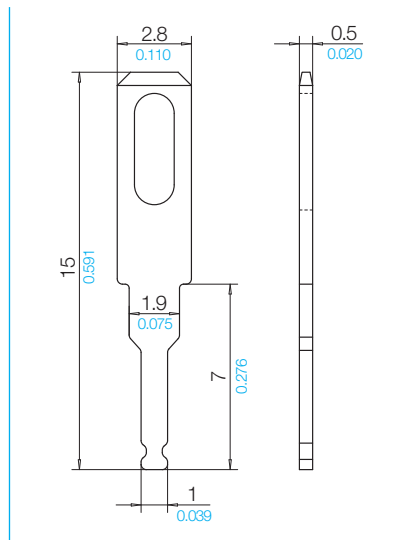
g2n/uc

7 1 2 0 8 - 2 6 8



g2y/wc

7 1 2 1 5 - 2 5 9



© 06/2011 by NORWE GmbH

All dimensions in mm/inch

The permissible deviations according to DIN 16901 apply as tolerances

Warranties:
refer to Terms and Conditions of Sale

NORWE GmbH

Postfach 13 56
51691 Bergneustadt
Paulstraße 5, Pernze
51702 Bergneustadt

Deutschland

Telefon +49 (0) 27 63-807-0
Telefax +49 (0) 27 63-807-77
E-mail verkauf@norwe.de
Internet www.norwe.de
www.norwe.eu

NORWE Inc.

P.O. Box 25 11
North Canton, OH 44720-0511

United States of America

Telefon +1-330 497-8113
Telefax +1-330 305-0592
E-mail usa@norwe.com
Internet www.norwe.com