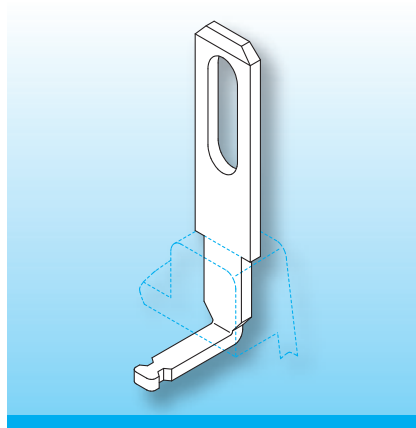


## Side-Wrapping Solder-Tags for Cable-Shoes

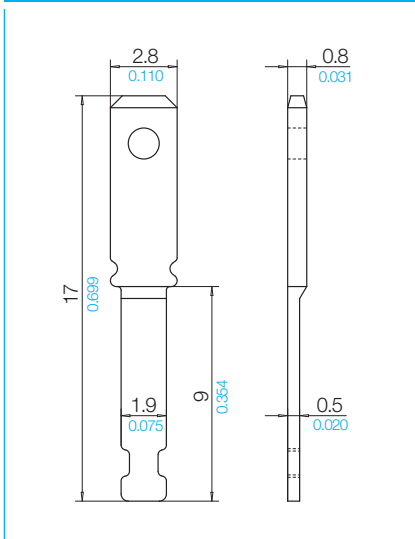
One side of the solder-tag allows connection of cable-shoes, sizes 2.8-0.5/2.8-0.8/4.8-0.8 and 6.3-0.8. The opposite end has a slimmer section for wire-wrapping. Side-wrapping solder-tags are stamped from strip-material, and are tinned afterwards.



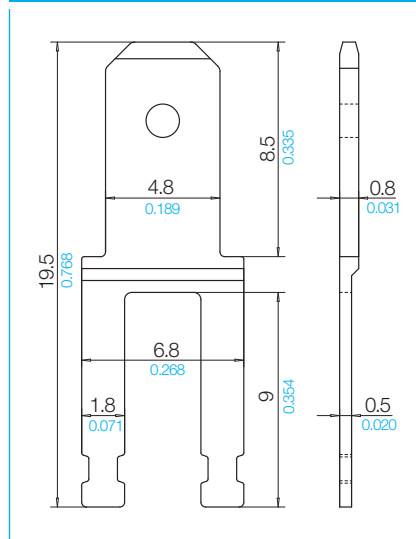
Special tags can be produced to customers specifications, however, a minimum quantity of 250.000 pieces applies. Special materials and alternative finishes are available on request, dimensions in mm/inch.

When ordering please quote type and order-code.

**g2w/ul** 71180-254



**g2e/ul** 71190-254



**g2g/ul** 71200-254

