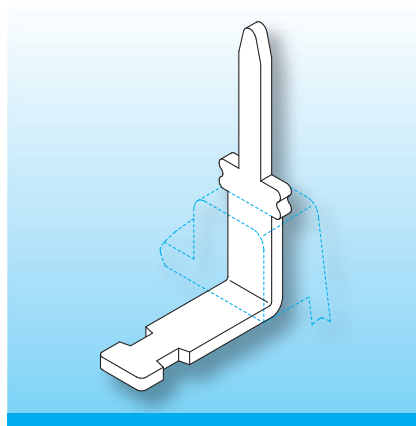


## Side-Wrapping Solder-Tags for PCB-Mounting

The solder-tags are stamped from strip-material and tinned afterwards. The wire-wrapping area is slightly slimmer to avoid wires slipping. At the other end the solder-tags are slightly rounded to the pcb.

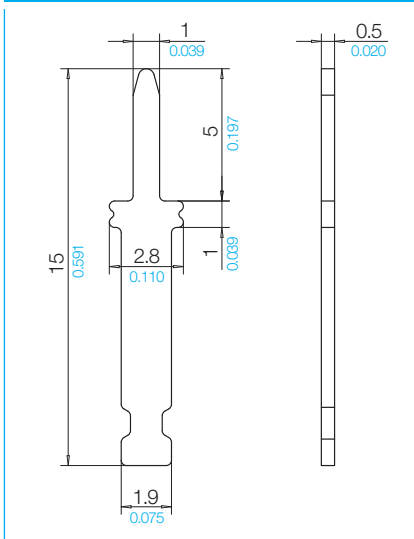


Special pcb-mounting solder-tags can be produced to customers specifications, however, a minimum quantity of 250.000 pieces applies. Special materials and alternative finishes are available on request, dimensions in mm/inch.

When ordering please quote type and order-code.

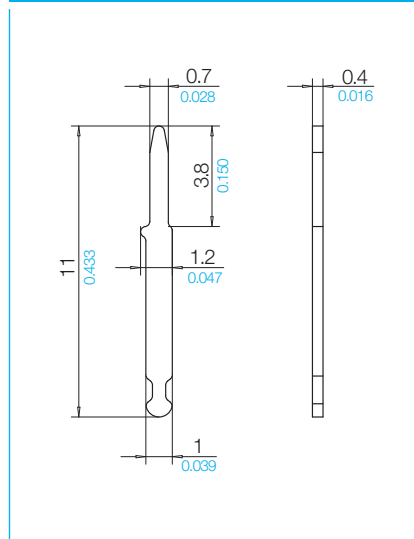
g2c/wc

71070-259



s25/wd

75519-261



s28/wd

75522-261

