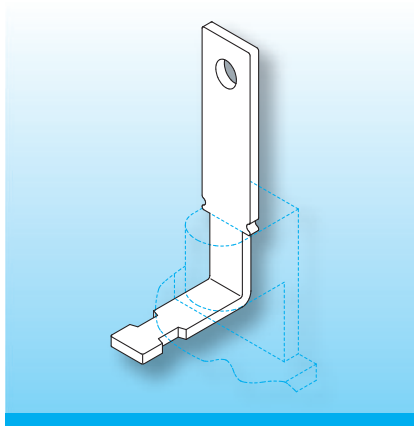


## Side-Wrapping Solder-Tags

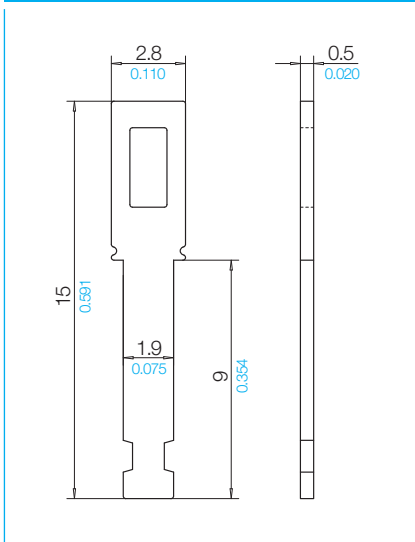
The solder-tags for side-wrapping and connection of flying leads. They are stamped from strip-material and tinned afterwards. The wire-wrapping area is slightly slimmer to avoid wires slipping. Stamped holes are at the other end, for connecting flying leads.



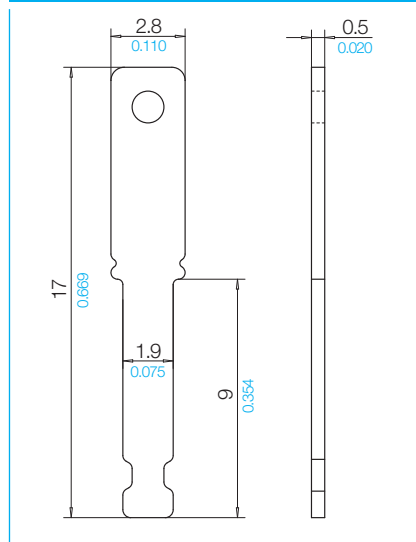
Special solder-tags can be produced to customers specifications, however, a minimum quantity of 250.000 pieces applies. Special materials and alternative finishes are available on request, dimensions in mm/inch.

When ordering please quote type and order-code.

**g2b/wc** 71050-259



**g2d/wc** 71060-259



**g2m/un** 71120-265

