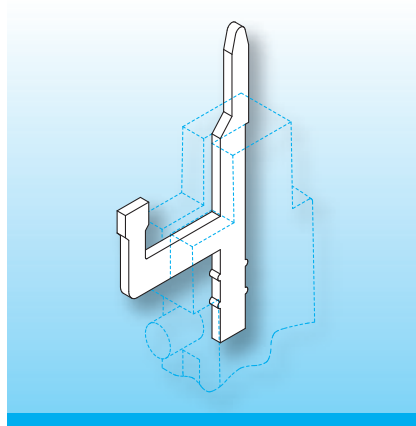


Press-Fit Solder-Tags

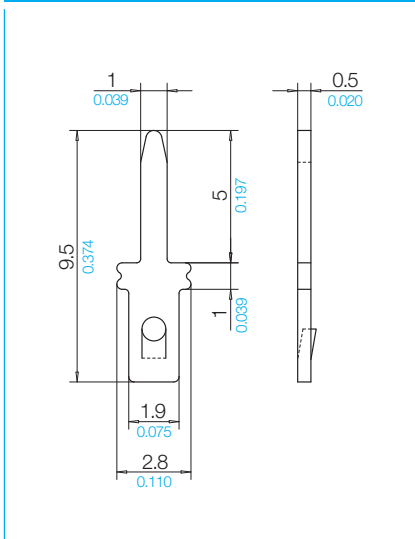
The solder-tags are stamped from strip material and tinned afterwards. A stamped-in "nose" ensures exact positioning into the plastic and good pull-out strength. The wrapping area is slightly slimmer to avoid wire slipping off. Stamped holes are provided to connect external leads.



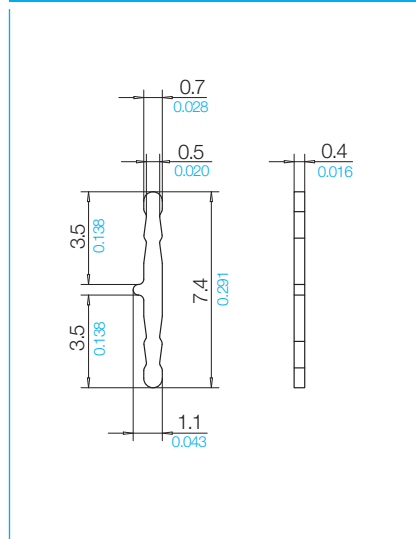
Special solder-tags can be produced to customers specifications, however, a minimum quantity of 250.000 pieces applies. Special materials and alternative finishes are available on request, dimensions in mm/inch.

When ordering please quote type and order-code.

g2s/wd 71040-261



s15/wd N0615-261 on request



s18/wd 75511-261

