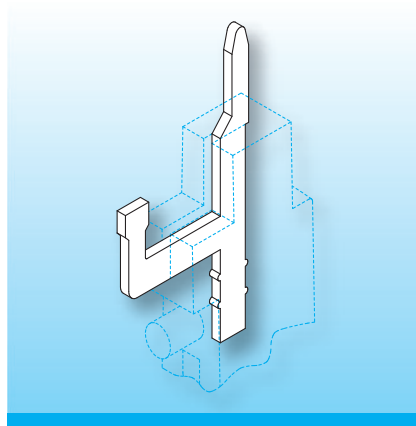


Press-Fit Solder-Tags

The solder-tags are stamped from strip material and tinned afterwards. A stamped-in "nose" ensures exact positioning into the plastic and good pull-out strength. The wrapping area is slightly slimmer to avoid wire slipping off. Stamped holes are provided to connect external leads.

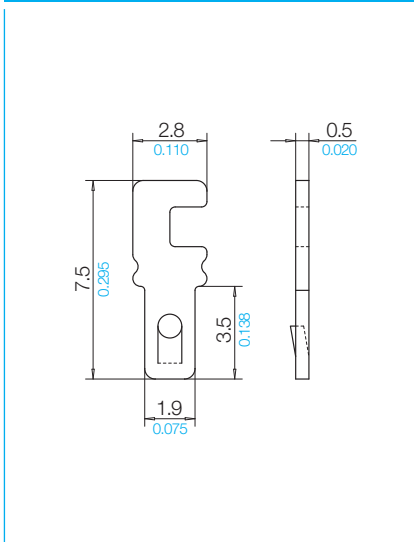


Special solder-tags can be produced to customers specifications, however, a minimum quantity of 250.000 pieces applies. Special materials and alternative finishes are available on request, dimensions in mm/*inch*.

When ordering please quote type and order-code.

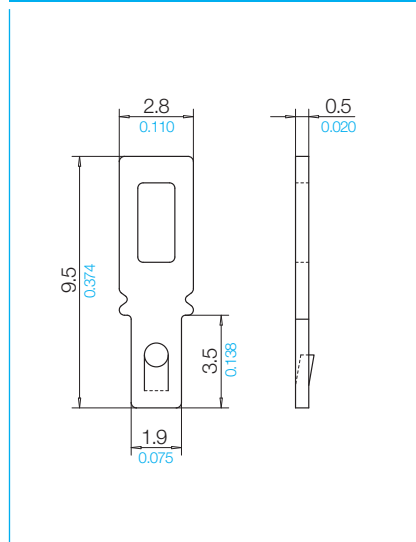
g2k/wd

71000-261



g2t/wb

71010-257



g2i/wd

71020-261

