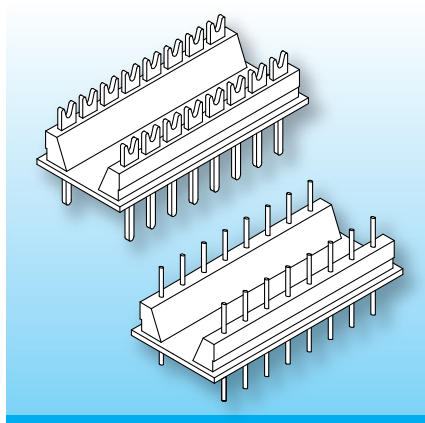


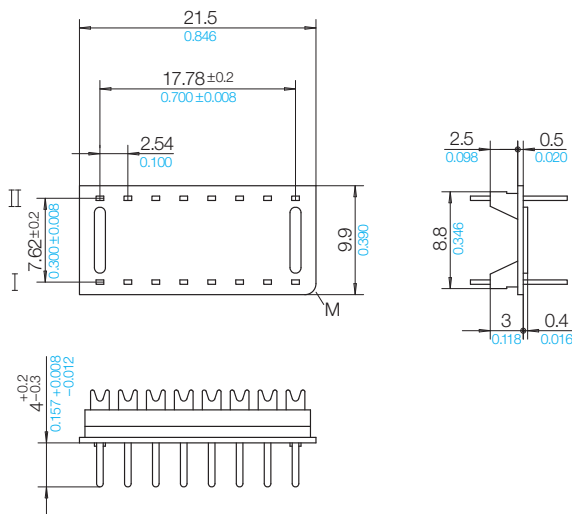
DIL-Sockets with Stand-offs

The sockets are made in gfr Polybutylene Terephthalate PBT of type pcg (RTI long-range temperature 130 °C). Solder-tag material is brass tinned and solder-pin material is tin bronze, tinned.
 Maximum solder temperature 350 °C, 2 sec.
 Special materials – e.g. irradiated cross-linked – and designs on request, dimensions in mm/*inch*.

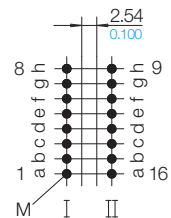


DIL-Sockets (Dual-In-Line) are suitable for complex circuits such as logic circuits, resistor networks or diode matrix. The sockets feature “stand-offs” which allow clean soldering of the wires and of the sockets onto the pcb. A suitable DIL-Box is available.

Type	Order-Code	Accessories
Socket: U 16/s-/pcg Solder-tag: s5/wd	N0349-047 on request N0350-261 on request	DIL-Box D16-7 DIL-Box D16-10



Grid
View tag-side



© 06/2016 by NORWE GmbH

Warranties:
refer to Terms and Conditions of Sale



Valid version of
data sheet online

QR Online-Version

NORWE GmbH

Postfach 13 56
 51691 Bergneustadt
 Paulstraße 5, Pernze
 51702 Bergneustadt
 Deutschland
 Telefon +49 (0) 27 63-807-0
 Telefax +49 (0) 27 63-807-77
 E-mail verkauf@norwe.de
 Internet www.norwe.de
 www.norwe.eu

NORWE Inc.

P.O. Box 25 11
 North Canton, OH 44720-0511
 United States of America
 Telefon +1-330 497-8113
 Telefax +1-330 305-0592
 E-mail usa@norwe.com
 Internet www.norwe.com