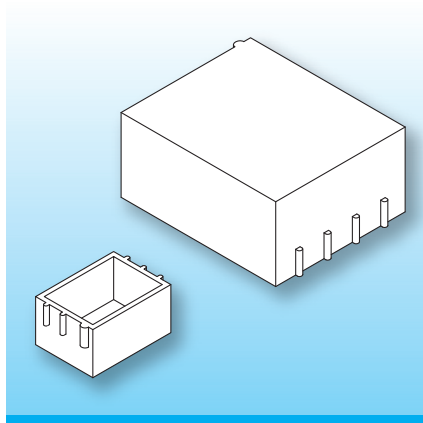


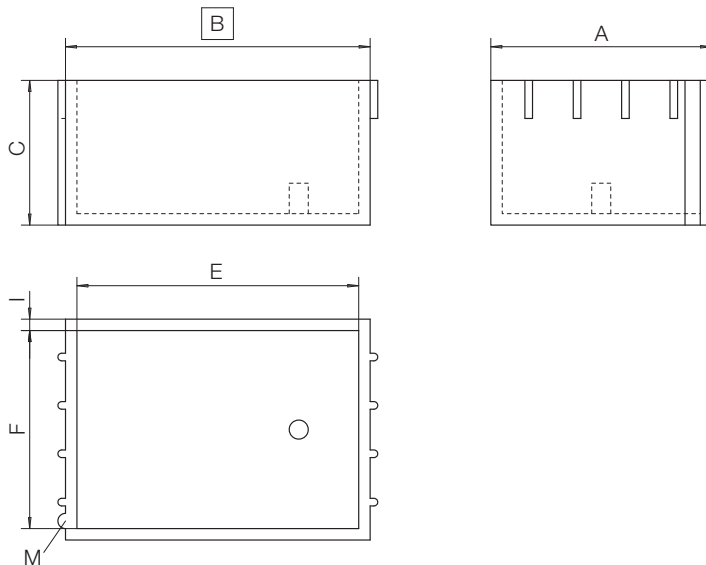
VLA-SMD-Potting Boxes

The potting boxes are made in gfr Polyphenylene Sulfide PPS of type torA504 (RTI long-range temperature +130°C) and are suitable for reflow soldering conditions. Special materials and designs on request, dimensions in mm/*inch*.



The potting boxes can be used to your individual requirements. In particular they are suitable for potting SMD-transformers of the EE-series to meet required creepage and clearance dimensions. Should you need more detailed information please ask for our SMD-catalogue. To process your order correctly please indicate type of potting box and order-code.

Type	Order-Code		A	B	C	E	F	I
EE 5/vla/4.3/torA504	93090-132		6.6 0.260	9.0 0.354	4.8 0.189	8.0 0.315	5.6 0.220	0.5 0.020
EE 6.3/vla/4.3/torA504	N0363-132	on request	7.6 0.299	9.0 0.354	4.8 0.189	8.0 0.315	6.6 0.260	0.5 0.020
EE 8/vla/5.5/torA504	93091-132		9.5 0.374	12.4 0.488	6.0 0.236	11.4 0.449	8.5 0.335	0.5 0.020
EE 8.8/vla/4.5/torA504	93139-132		10.8 0.425	11.6 0.457	5.0 0.197	10.6 0.417	9.8 0.386	0.5 0.020
EE10/vla/7.0/torA504	93092-132		11.6 0.457	16.0 0.630	7.6 0.299	14.8 0.583	10.4 0.409	0.6 0.024
EE 12.6/vla/8.4/torA504	93093-132		14.6 0.575	18.6 0.732	9.0 0.354	17.4 0.685	13.4 0.528	0.6 0.024



© 03/2017 by NORWE GmbH

Warranties:
refer to Terms and Conditions of Sale

NORWE GmbH

Postfach 13 56
51691 Bergneustadt
Paulstraße 5, Pernze
51702 Bergneustadt
Deutschland

Telefon +49 (0) 27 63-807-0
Telefax +49 (0) 27 63-807-77
E-mail verkauf@norwe.de
Internet www.norwe.de
www.norwe.eu

NORWE Inc.

P.O. Box 25 11
North Canton, OH 44720-0511
United States of America
Telefon +1-330 497-8113
Telefax +1-330 305-0592
E-mail usa@norwe.com
Internet www.norwe.com



Valid version of
data sheet online

QR Online-Version