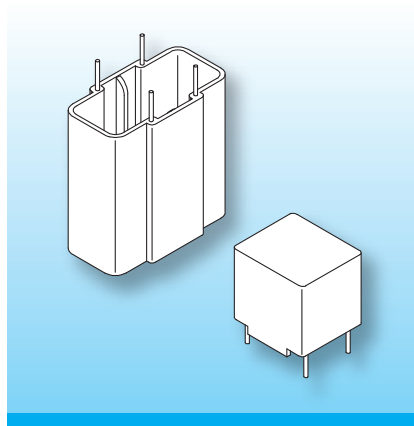


## Potting Boxes, Specials

The boxes are made in gfr Polybutylene Terephthalate PBT of type pcg (RTI long-range temperature +130°C). Pin material: tin bronze, tinned. Maximum solder temperature 350°C, 2 sec. Special materials – e.g. irradiated cross-linked – and designs on request, dimensions in mm/inch.

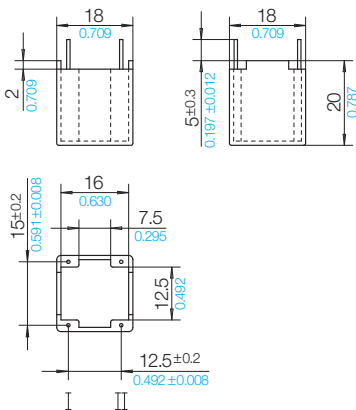


The potting boxes can be used to your individual requirements. In particular they are suitable for potting electrical components such as circuits on pcbs.

| Type  | Order-Code             | Accessories |
|---|------------------------|-------------|
| Potting-Box: Vgh. 16.0/16.0/17.0/pcg<br>Solder-pin: z810/ua | 93010-047<br>73296-212 | on request  |

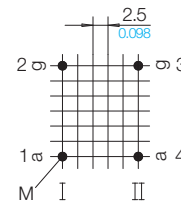
### wound toroidal core

diameter Ø 16.0/Ø 0.630  
width 12.5/0.492



## Grid

View pin-side



## © 08/2012 by NORWE GmbH

All dimensions in mm/inch

The permissible deviations according to DIN 16901 apply as tolerances

Warranties:  
refer to Terms and Conditions of Sale



Valid version of  
data sheet online

QR Online-Version

## NORWE GmbH

Postfach 13 56  
51691 Bergneustadt  
Paulstraße 5, Pernze  
51702 Bergneustadt

Deutschland

Telefon +49 (0) 27 63-807-0  
Telefax +49 (0) 27 63-807-77  
E-mail verkauf@norwe.de  
Internet www.norwe.de  
www.norwe.eu

## NORWE Inc.

P.O. Box 25 11  
North Canton, OH 44720-0511  
United States of America

Telefon +1-330 497-8113  
Telefax +1-330 305-0592  
E-mail usa@norwe.com  
Internet www.norwe.com