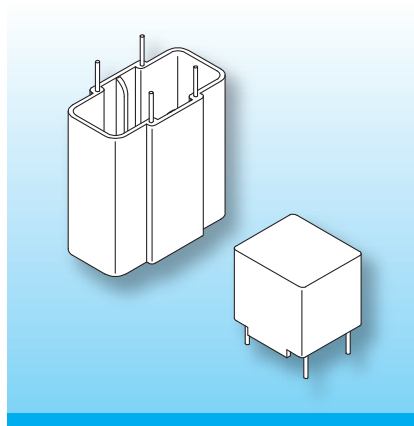


Potting Boxes, Specials

The boxes are made in gfr Polybutylene Terephthalate PBT of type pcg (RTI long-range temperature +130°C). Pin material: tin bronze, tinned. Maximum solder temperature 350°C, 2 sec. Special materials – e.g. irradiated cross-linked – and designs on request, dimensions in mm/inch.

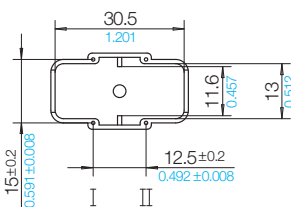
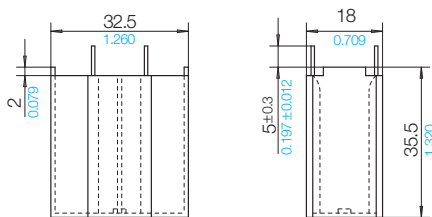


The potting boxes can be used to your individual requirements. In particular they are suitable for potting electrical components such as circuits on pcbs.

Type	Order-Code	Accessories
Potting-Box: Vgh. 30.5/13.0/32.5/pcg Solder-pin: z810/ua	93000-047 73296-212	on request

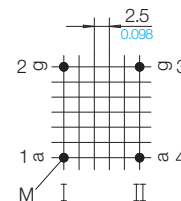
wound toroidal core

diameter \varnothing 30.5/ \varnothing 1.201
width 11.6/ \varnothing 0.457



Grid

View pin-side



© 08/2012 by NORWE GmbH

All dimensions in mm/inch

The permissible deviations according to DIN 16901 apply as tolerances

Warranties:
refer to Terms and Conditions of Sale



Valid version of
data sheet online

QR Online-Version

NORWE GmbH

Postfach 13 56
51691 Bergneustadt
Paulstraße 5, Pernze
51702 Bergneustadt
Deutschland
Telefon +49 (0) 27 63-807-0
Telefax +49 (0) 27 63-807-77
E-mail verkauf@norwe.de
Internet www.norwe.de
www.norwe.eu

NORWE Inc.

P.O. Box 25 11
North Canton, OH 44720-0511
United States of America
Telefon +1-330 497-8113
Telefax +1-330 305-0592
E-mail usa@norwe.com
Internet www.norwe.com