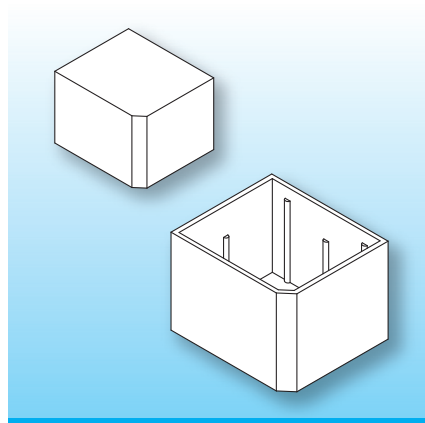


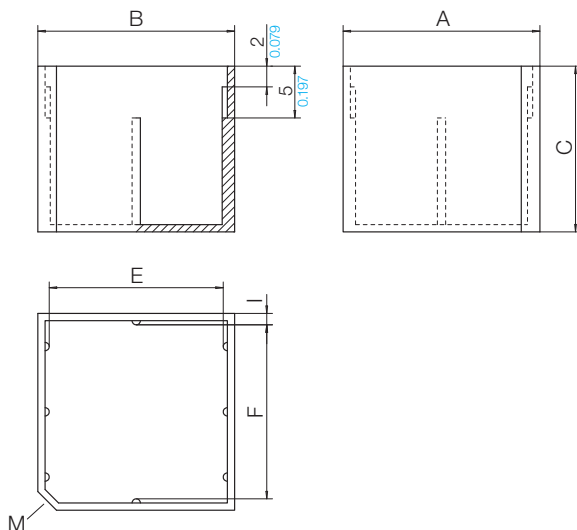
Potting Boxes (RK-VG)

The boxes are made in gfr Polyamide PA66 of type p6g (RTI long-range temperature +125 °C).
Special materials and designs on request, dimensions in mm/inch.



The potting boxes can be used to your individual requirements. In particular they are suitable for potting toroidal cores mounted on the pin-plates RK-LP or potting electrical components such as circuits on pcbs. To process your order correctly please indicate type of potting box and order-code.

Type	Order-Code	A	B	C	E	F	I	matching RK-LP
RK-VG 11.5 x 10.0/p6g	66970-024	11.5 0.453	11.5 0.453	10.0 0.394	9.2 0.362	9.2 0.362	1.2 0.047	RK-LP 7.5/-8/p6g
RK-VG 14.0 x 12.0/p6g	66971-024	14.0 0.551	14.0 0.551	12.0 0.472	11.7 0.461	11.7 0.461	1.2 0.047	RK-LP 10.0/-8/p6g
RK-VG 16.5 x 14.0/p6g	66972-024	16.5 0.650	16.5 0.650	14.0 0.551	14.2 0.559	14.2 0.559	1.2 0.047	RK-LP 12.5/-8/p6g
RK-VG 19.0 x 16.0/p6g	66973-024	19.0 0.748	19.0 0.748	16.0 0.630	16.7 0.657	16.7 0.657	1.2 0.047	RK-LP 15.0/-8/p6g
RK-VG 21.5 x 18.0/p6g	66974-024	21.5 0.846	21.5 0.846	18.0 0.709	19.2 0.756	19.2 0.756	1.2 0.047	RK-LP 17.5/-8/p6g



© 06/2014 by NORWE GmbH

Warranties:
refer to Terms and Conditions of Sale

NORWE GmbH

Postfach 13 56
51691 Bergneustadt
Paulstraße 5, Pernze
51702 Bergneustadt
Deutschland

Telefon +49 (0) 27 63-807-0
Telefax +49 (0) 27 63-807-77
E-mail verkauf@norwe.de
Internet www.norwe.de
www.norwe.eu

NORWE Inc.

P.O. Box 25 11
North Canton, OH 44720-0511
United States of America
Telefon +1-330 497-8113
Telefax +1-330 305-0592
E-mail usa@norwe.com
Internet www.norwe.com

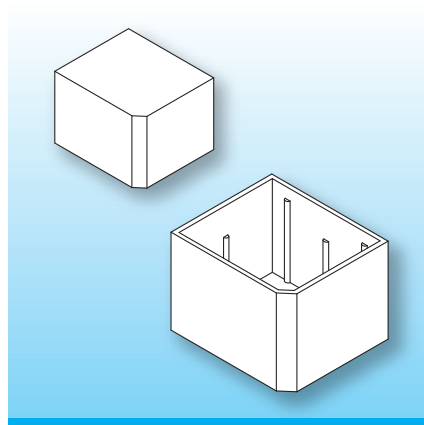


Valid version of
data sheet online

QR Online-Version

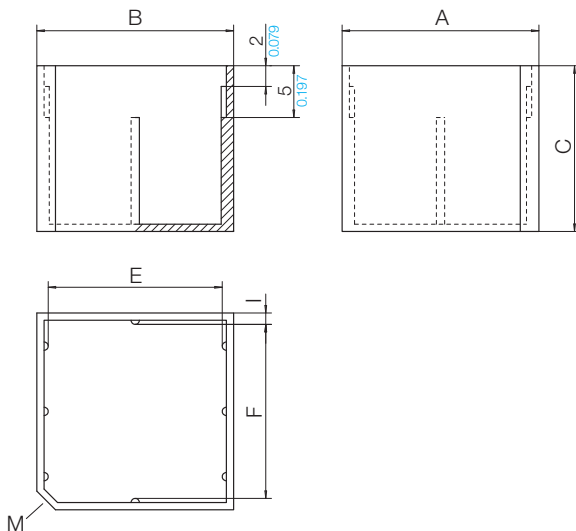
Potting Boxes (RK-VG)

The boxes are made in gfr Polyamide PA66 of type p6g (RTI long-range temperature +125 °C).
Special materials and designs on request, dimensions in mm/*inch*.



The potting boxes can be used to your individual requirements. In particular they are suitable for potting toroidal cores mounted on the pin-plates RK-LP or potting electrical components such as circuits on pcbs. To process your order correctly please indicate type of potting box and order-code.

Type	Order-Code	A	B	C	E	F	I	matching RK-LP
RK-VG 24.2 x 20.0/p6g	66975-024	24.2 0.953	24.2 0.953	20.0 0.787	21.7 0.854	21.7 0.854	1.2 0.047	RK-LP 20.0/-8/p6g
RK-VG 29.2 x 22.0/p6g	66976-024	29.2 1.150	29.2 1.150	22.0 0.866	26.7 1.051	26.7 1.051	1.2 0.047	RK-LP 25.0/-8/p6g
RK-VG 34.2 x 24.0/p6g	66977-024	34.2 1.346	34.2 1.346	24.0 0.945	31.7 1.248	31.7 1.248	1.2 0.047	RK-LP 30.0/-8/p6g
RK-VG 39.6 x 26.0/p6g	66978-024	39.6 1.559	39.6 1.559	26.0 1.024	37.1 1.461	37.1 1.461	1.2 0.047	RK-LP 35.0/-8/p6g



© 06/2014 by NORWE GmbH

Warranties:
refer to Terms and Conditions of Sale

NORWE GmbH

Postfach 13 56
51691 Bergneustadt
Paulstraße 5, Pernze
51702 Bergneustadt
Deutschland

Telefon +49 (0) 27 63-807-0
Telefax +49 (0) 27 63-807-77
E-mail verkauf@norwe.de
Internet www.norwe.de
www.norwe.eu

NORWE Inc.

P.O. Box 25 11
North Canton, OH 44720-0511
United States of America
Telefon +1-330 497-8113
Telefax +1-330 305-0592
E-mail usa@norwe.com
Internet www.norwe.com



Valid version of
data sheet online

QR Online-Version