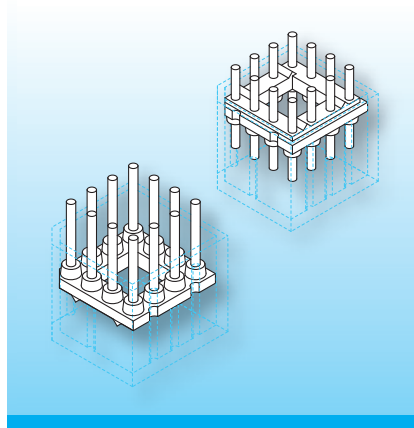


## Toroidal Core Pin-Plate (RK-LP)

The pin-plates are made in gfr Polyamide PA66 of type p6g (RTI long-range temperature +125°C). Pin material: tin bronze, tinned. Maximum solder temperature 350°C, 2 sec. Special materials – e.g. irradiated cross-linked – and designs on request, dimensions in mm/inch.



Pin-plate with centre hole suitable to carry the toroidal core. The hole allows a potting in the box and guidance of the wires (for standard pinning on side N). The pin-plates feature a great number of pin-holes. Thus the pins can be fitted to your special requirements. A suitable potting box RK-VG is available.

### Type

Pin-plate: RK-LP 20.0/-8/p6g  
Solder-pin: z809/ua

### Order-Code

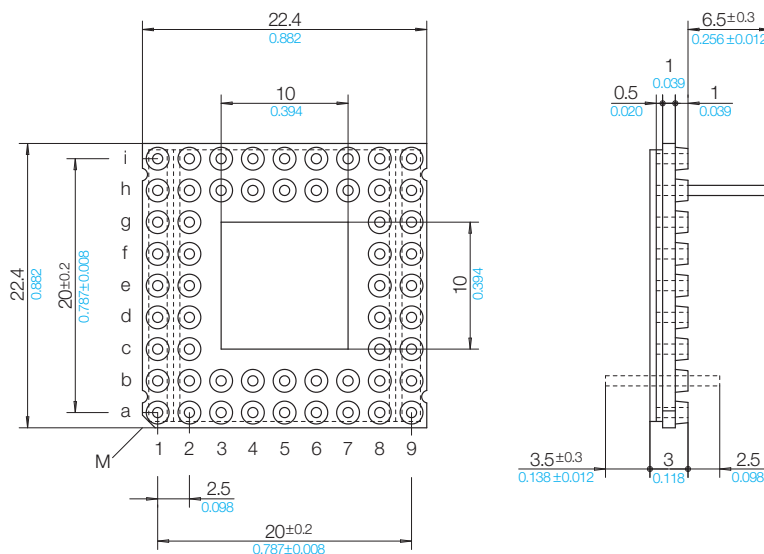
6 6 9 5 5 - 0 2 4  
7 3 2 9 5 - 2 1 2

### Accessories

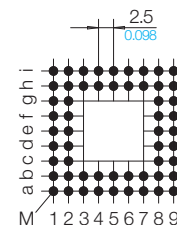
Potting box RK-VG 24.2 x 20.0

### wound toroidal core

diameter  $\varnothing$  21.8/ $\varnothing$  0.858  
width 16.2(0.638)/12.7(0.500)



### Grid View pin-side



### © 08/2012 by NORWE GmbH

All dimensions in mm/inch

The permissible deviations according to DIN 16901 apply as tolerances

Warranties:  
refer to Terms and Conditions of Sale



Valid version of  
data sheet online

QR Online-Version

### NORWE GmbH

Postfach 13 56  
51691 Bergneustadt  
Paulstraße 5, Pernze  
51702 Bergneustadt

Deutschland

Telefon +49 (0) 27 63-807-0  
Telefax +49 (0) 27 63-807-77  
E-mail verkauf@norwe.de  
Internet www.norwe.de  
www.norwe.eu

### NORWE Inc.

P.O. Box 25 11  
North Canton, OH 44720-0511  
United States of America

Telefon +1-330 497-8113  
Telefax +1-330 305-0592  
E-mail usa@norwe.com  
Internet www.norwe.com