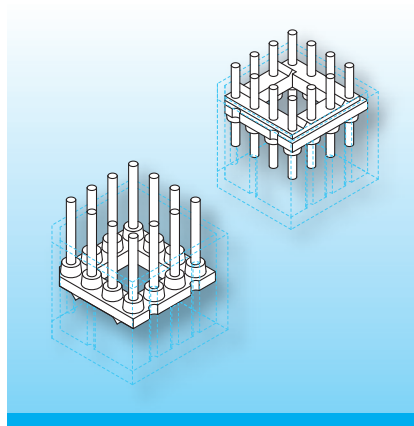


## Toroidal Core Pin-Plate (RK-LP)

The pin-plates are made in gfr Polyamide PA66 of type p6g (RTI long-range temperature +125°C). Pin material: tin bronze, tinned. Maximum solder temperature 350°C, 2 sec. Special materials – e.g. irradiated cross-linked – and designs on request, dimensions in mm/inch.



Pin-plate with centre hole suitable to carry the toroidal core. The hole allows a potting in the box and guidance of the wires (for standard pinning on side N). The pin-plates feature a great number of pin-holes. Thus the pins can be fitted to your special requirements. A suitable potting box RK-VG is available.

### Type

Pin-plate: RK-LP 17.5/-8/p6g  
Solder-pin: z809/ua

### Order-Code

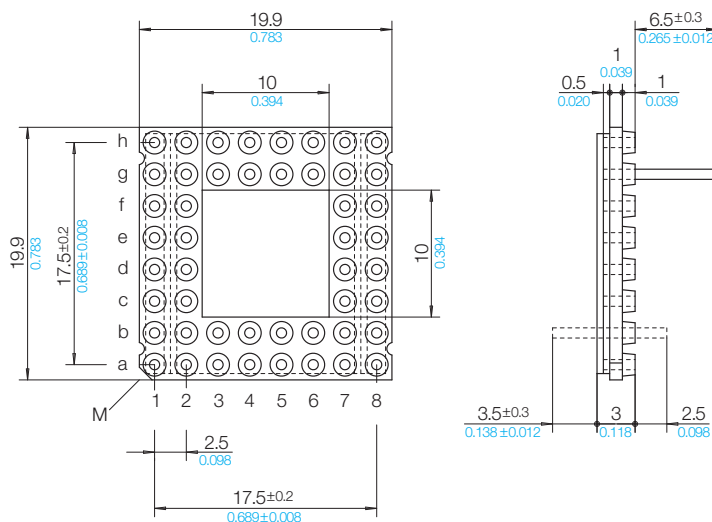
6 6954-024  
7 3295-212

### Accessories

Potting box RK-VG 21.5 x 18.0

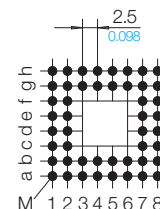
### wound toroidal core

diameter  $\varnothing$  19.3/ $\varnothing$  0.760  
width 14.3(0.563)/10.8(0.425)



### Grid

View pin-side



© 08/2012 by NORWE GmbH

All dimensions in mm/inch  
The permissible deviations according to DIN 16901 apply as tolerances  
Warranties:  
refer to Terms and Conditions of Sale



Valid version of data sheet online

QR Online-Version

### NORWE GmbH

Postfach 13 56  
51691 Bergneustadt  
Paulstraße 5, Pernze  
51702 Bergneustadt  
Deutschland  
Telefon +49 (0) 27 63-807-0  
Telefax +49 (0) 27 63-807-77  
E-mail verkauf@norwe.de  
Internet www.norwe.de  
www.norwe.eu

### NORWE Inc.

P.O. Box 25 11  
North Canton, OH 44720-0511  
United States of America  
Telefon +1-330 497-8113  
Telefax +1-330 305-0592  
E-mail usa@norwe.com  
Internet www.norwe.com