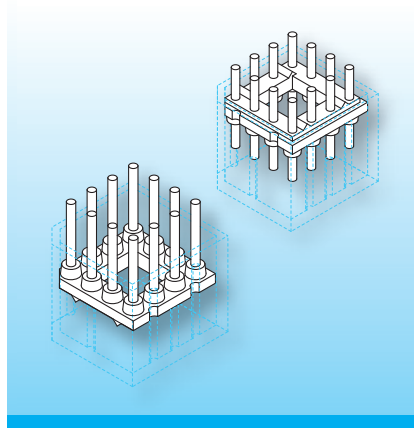


Toroidal Core Pin-Plate (RK-LP)

The pin-plates are made in gfr Polyamide PA66 of type p6g (RTI long-range temperature +125°C). Pin material: tin bronze, tinned. Maximum solder temperature 350°C, 2 sec. Special materials – e.g. irradiated cross-linked – and designs on request, dimensions in mm/inch.



Pin-plate with centre hole suitable to carry the toroidal core. The hole allows a potting in the box and guidance of the wires (for standard pinning on side N). The pin-plates feature a great number of pin-holes. Thus the pins can be fitted to your special requirements. A suitable potting box RK-VG is available.

Type

Pin-plate: RK-LP 15.0/-8/p6g
Solder-pin: z809/ua

Order-Code

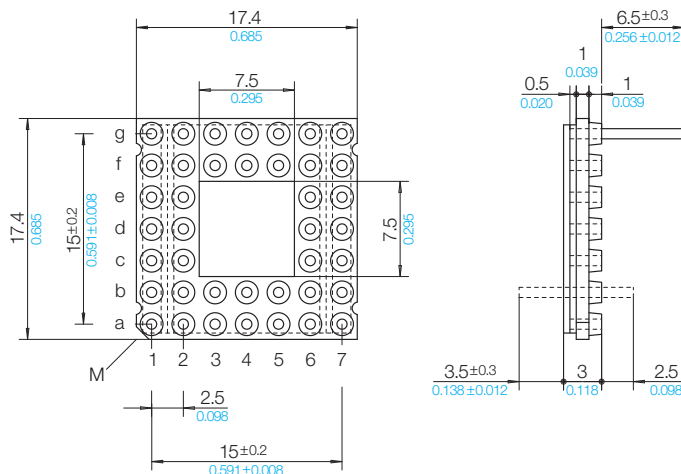
66953-024
73295-212

Accessories

Potting box RK-VG 19.0 x 16.0

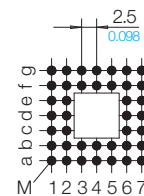
wound toroidal core

diameter \varnothing 16.8/ \varnothing 0.661
width 12.3(0.484)/8.8(0.346)



Grid

View pin-side



© 08/2012 by NORWE GmbH

All dimensions in mm/inch

The permissible deviations according to DIN 16901 apply as tolerances

Warranties:
refer to Terms and Conditions of Sale



Valid version of
data sheet online

QR Online-Version

NORWE GmbH

Postfach 13 56
51691 Bergneustadt
Paulstraße 5, Pernze
51702 Bergneustadt

Deutschland

Telefon +49 (0) 27 63-807-0
Telefax +49 (0) 27 63-807-77
E-mail verkauf@norwe.de
Internet www.norwe.de
www.norwe.eu

NORWE Inc.

P.O. Box 25 11
North Canton, OH 44720-0511
United States of America

Telefon +1-330 497-8113
Telefax +1-330 305-0592
E-mail usa@norwe.com
Internet www.norwe.com