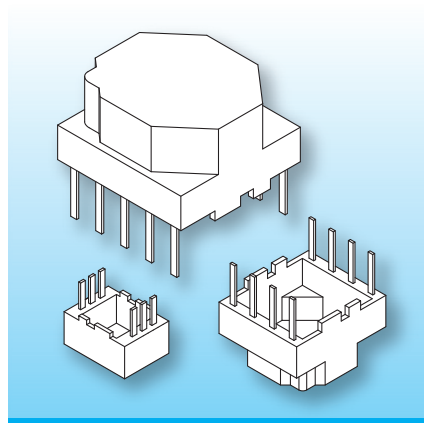


## Horizontal Potting Box (H-RG) for pcb mounting

The potting boxes are made in gfr Polyphenylene Sulfide PPS of type torA504 (RTI long-range temperature +130 °C). Pin material: tin bronze, tinned. Maximum solder temperature 350 °C, 2 sec. Special materials – e.g. irradiated cross-linked – and designs on request, dimensions in mm/*inch*.

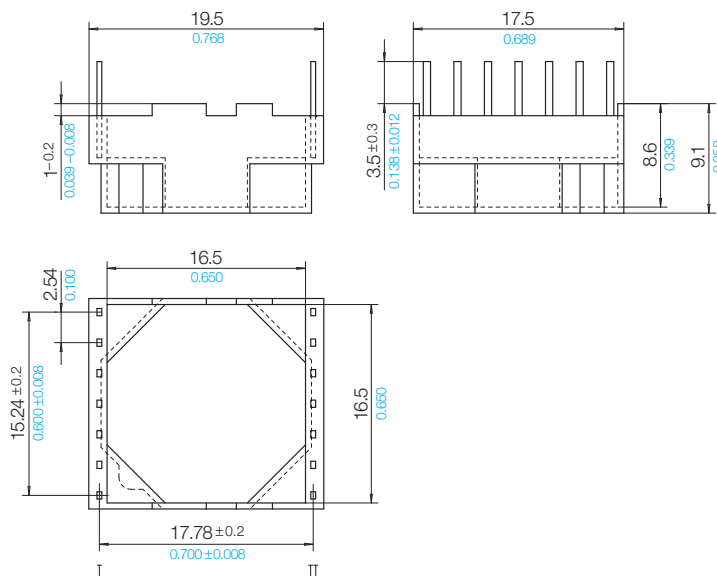


Boxes for pcbs, suitable for filter chokes or ISDN components. Depending on the box-type the solder pins have a cross-section of 0.6 x 0.25 mm (0.023 x 0.010 *inch*) and 0.6 x 0.4 mm (0.023 x 0.016 *inch*). The design features “stand offs” to the pcb to eliminate cold soldering, or can be used as positioning aid.

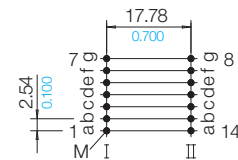
Type	Order-Code	Accessories
Potting Box: H-RG 16.5/16.5/9.1/14f640-/torA504 Solder-pin: f640-70/ub	66375-132 75970-213	on request

### wound toroidal core

diameter Ø 16.5/Ø 0.650  
width 7.6/0.299



### Grid View pin-side



© 03/2014 by NORWE GmbH

Warranties:  
refer to Terms and Conditions of Sale

**NORWE GmbH**

Postfach 13 56  
51691 Bergneustadt  
Paulstraße 5, Pernze  
51702 Bergneustadt  
Deutschland  
Telefon +49 (0) 27 63-807-0  
Telefax +49 (0) 27 63-807-77  
E-mail verkauf@norwe.de  
Internet www.norwe.de  
www.norwe.eu

**NORWE Inc.**

P.O. Box 25 11  
North Canton, OH 44720-0511  
United States of America  
Telefon +1-330 497-8113  
Telefax +1-330 305-0592  
E-mail usa@norwe.com  
Internet www.norwe.com



Valid version of  
data sheet online

QR Online-Version