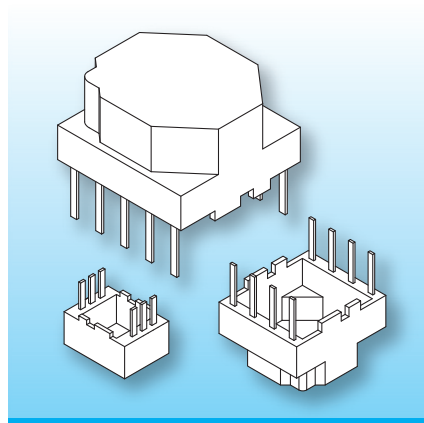


Horizontal Potting Box (H-RG) for pcb mounting

The potting boxes are made in gfr Polyphenylene Sulfide PPS of type torA504 (RTI long-range temperature +130 °C). Pin material: tin bronze, tinned. Maximum solder temperature 350 °C, 2 sec. Special materials – e.g. irradiated cross-linked – and designs on request, dimensions in mm/*inch*.

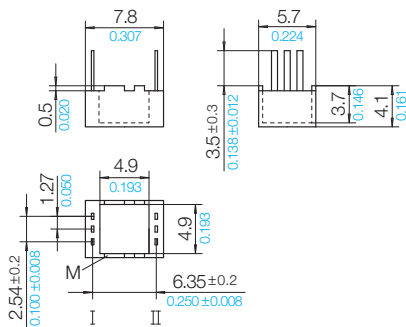


Boxes for pcbs, suitable for filter chokes or ISDN components. Depending on the box-type the solder pins have a cross-section of 0.6 x 0.25 mm (0.023 x 0.010 *inch*) and 0.6 x 0.4 mm (0.023 x 0.016 *inch*). The design features “stand offs” to the pcb to eliminate cold soldering, or can be used as positioning aid.

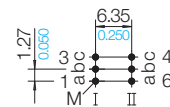
Type	Order-Code	Accessories
Potting Box: H-RG 4.9/4.9/4.1/6f625-/torA504 Solder-pin: f625-65/ub	66360-132 75867-213	on request

wound toroidal core

diameter Ø 4.9/Ø 0.193
width 3.2/0.126



Grid View pin-side



© 03/2014 by NORWE GmbH

Warranties:
refer to Terms and Conditions of Sale

NORWE GmbH

Postfach 13 56
51691 Bergneustadt
Paulstraße 5, Pernze
51702 Bergneustadt
Deutschland
Telefon +49 (0) 27 63-807-0
Telefax +49 (0) 27 63-807-77
E-mail verkauf@norwe.de
Internet www.norwe.de
www.norwe.eu

NORWE Inc.

P.O. Box 25 11
North Canton, OH 44720-0511
United States of America
Telefon +1-330 497-8113
Telefax +1-330 305-0592
E-mail usa@norwe.com
Internet www.norwe.com



Valid version of
data sheet online

QR Online-Version