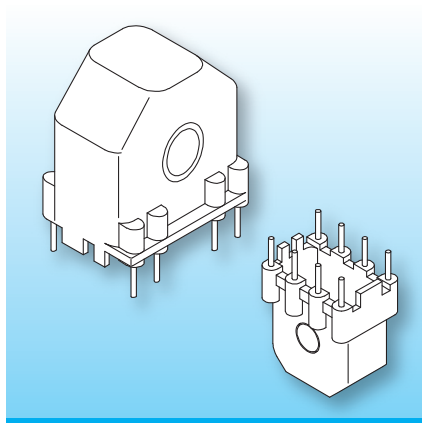


## Toroidal Core Potting Boxes (V-RG) for vertical pcb mounting

The potting boxes are made in gfr Polyamide PA66 of type A RV250 nat. (RTI long-range temperature +100°C). Pin material: tin bronze, tinned. Maximum solder temperature 350°C, 2 sec. Special materials – e.g. irradiated cross-linked – and designs on request, dimensions in mm/inch.



Potting boxes for vertical pcb mounting. The centre hole can be easily removed for applications requiring a feed-through. The design features “stand offs” to the pcb to eliminate cold soldering, or can be used as positioning aid.

### Type

Box: V-RG 30.0/22.5-40.0/-1/A RV250 nat.  
Solder-pin: z111/ua

### Order-Code

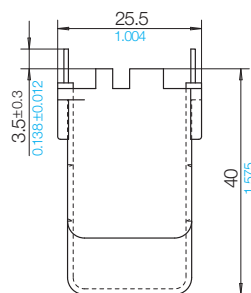
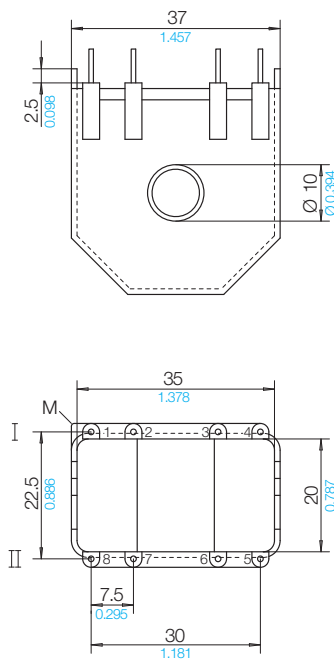
66356-106  
73321-212

### Accessories

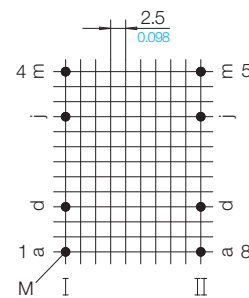
on request

### wound toroidal core

diameter  $\varnothing 35.0/\varnothing 1.378$   
width  $20.0/0.787$



### Grid View pin-side



16 A 2 S

© 08/2018 by NORWE GmbH

Warranties:  
refer to Terms and Conditions of Sale

**NORWE GmbH**

Postfach 13 56  
51691 Bergneustadt  
Paulstraße 5, Pernze  
51702 Bergneustadt  
Deutschland  
Telefon +49 (0) 27 63-807-0  
Telefax +49 (0) 27 63-807-77  
E-mail verkauf@norwe.de  
Internet www.norwe.de  
www.norwe.eu

**NORWE Inc.**

P.O. Box 25 11  
North Canton, OH 44720-0511  
United States of America  
Telefon +1-330 497-8113  
Telefax +1-330 305-0592  
E-mail usa@norwe.com  
Internet www.norwe.com



Valid version of  
data sheet online

QR Online-Version