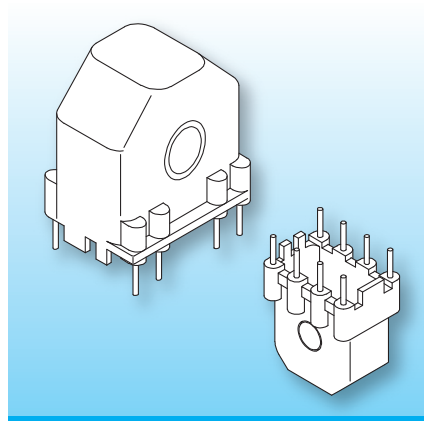


## Toroidal Core Potting Boxes (V-RG) for vertical pcb mounting

The potting boxes are made in gfr Polyamide PA66 of type A RV250 nat. (RTI long-range temperature +100°C). Pin material: tin bronze, tinned. Maximum solder temperature 350°C, 2 sec. Special materials – e.g. irradiated cross-linked – and designs on request, dimensions in mm/inch.

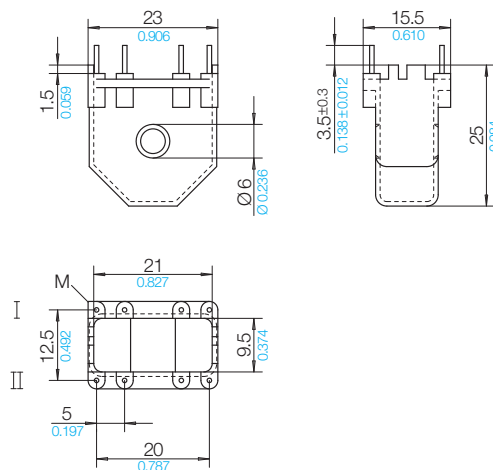


Potting boxes for vertical pcb mounting. The centre hole can be easily removed for applications requiring a feed-through. The design features “stand offs” to the pcb to eliminate cold soldering, or can be used as positioning aid.

Type	Order-Code	Accessories
Box: V-RG 20.0/12.5-25.0/-8/A RV250 nat. Solder-pin: z810/ua	66351-106 73296-212	on request

### wound toroidal core

diameter Ø 21.0/Ø 0.827  
width 9.5/0.374



Grid  
View pin-side

16 A 2 S

© 08/2018 by NORWE GmbH

Warranties:  
refer to Terms and Conditions of Sale

NORWE GmbH

Postfach 13 56  
51691 Bergneustadt  
Paulstraße 5, Pernze  
51702 Bergneustadt  
Deutschland

Telefon +49 (0) 27 63-807-0  
Telefax +49 (0) 27 63-807-77  
E-mail verkauf@norwe.de  
Internet www.norwe.de  
www.norwe.eu

NORWE Inc.

P.O. Box 25 11  
North Canton, OH 44720-0511  
United States of America  
Telefon +1-330 497-8113  
Telefax +1-330 305-0592  
E-mail usa@norwe.com  
Internet www.norwe.com



Valid version of  
data sheet online

QR Online-Version