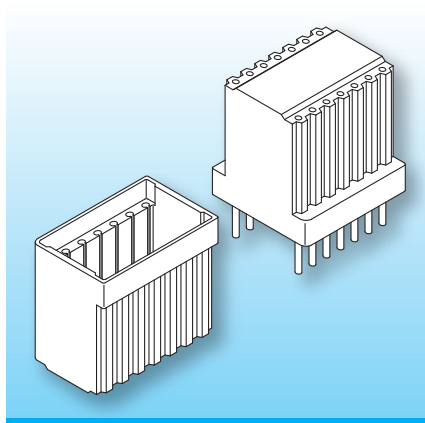


## Vertical Potting Box (VB)

The potting boxes are made in gfr Polyamide PA66 of type p6g (RTI long-range temperature +125 °C) and CR-A3H2G6, black (RTI long-range temperature +110 °C). Pin material: tin bronze, tinned. Maximum solder temperature 350 °C, 2 sec. Special materials – e.g. irradiated cross-linked – and designs on request, dimensions in mm/*inch*.

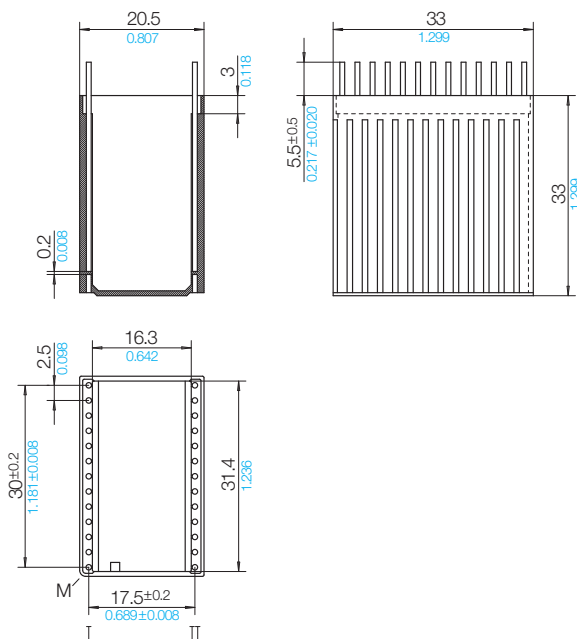


Potting boxes for PCB mounting of toroidal cores. Depending on how the pins are fitted, the box can be pcb mounted potting side up or down. If there are no specific instructions, side A will be supplied.

Type	Order-Code	Accessories
Box: VB 30.0/17.5-33/-8/p6g Solder-pin: r836/ua	66304-024 77336-212	on request

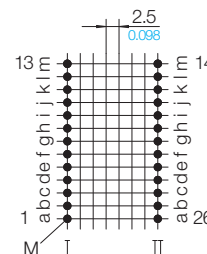
### wound toroidal core

diameter Ø 31.4/Ø 1.236  
width 16.3/0.642



### Grid

View open side of box



© 04/2014 by NORWE GmbH

Warranties:  
refer to Terms and Conditions of Sale

**NORWE GmbH**

Postfach 13 56  
51691 Bergneustadt  
Paulstraße 5, Pernze  
51702 Bergneustadt  
Deutschland

Telefon +49 (0) 27 63-807-0  
Telefax +49 (0) 27 63-807-77  
E-mail verkauf@norwe.de  
Internet www.norwe.de  
www.norwe.eu

**NORWE Inc.**

P.O. Box 25 11  
North Canton, OH 44720-0511  
United States of America  
Telefon +1-330 497-8113  
Telefax +1-330 305-0592  
E-mail usa@norwe.com  
Internet www.norwe.com



Valid version of  
data sheet online

QR Online-Version