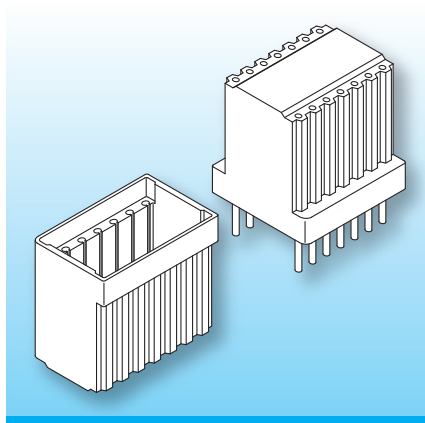


Vertical Potting Box (VB)

The potting boxes are made in gfr Polyamide PA66 of type p6g (RTI long-range temperature +125 °C) and CR-A3H2G6, black (RTI long-range temperature +110 °C). Pin material: tin bronze, tinned. Maximum solder temperature 350 °C, 2 sec. Special materials – e.g. irradiated cross-linked – and designs on request, dimensions in mm/*inch*.



Potting boxes for PCB mounting of toroidal cores. Depending on how the pins are fitted, the box can be pcb mounted potting side up or down. If there are no specific instructions, side A will be supplied.

Type

Box: VB 25.0/15.0-28/-8/p6g
Solder-pin: r831/ua

Order-Code

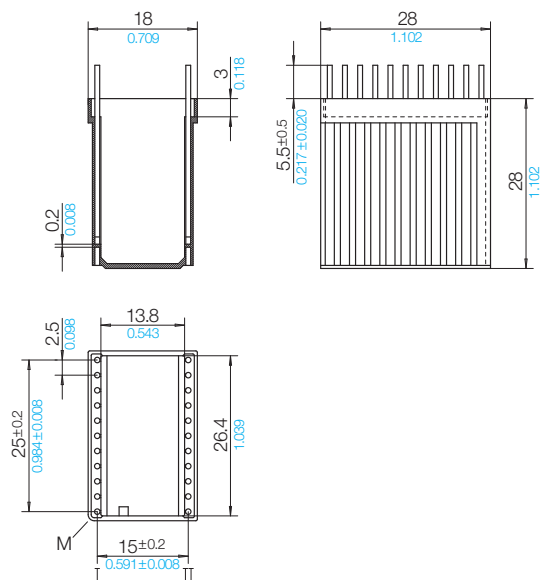
66303-024
77331-212

Accessories

on request

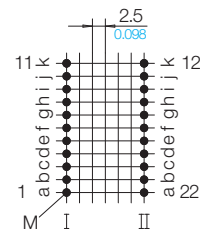
wound toroidal core

diameter Ø 26.4/Ø 1.039
width 13.8/0.543



Grid

View open side of box



© 04/2014 by NORWE GmbH

Warranties:
refer to Terms and Conditions of Sale

NORWE GmbH

Postfach 13 56
51691 Bergeunstadt
Paulstraße 5, Pernze
51702 Bergeunstadt
Deutschland
Telefon +49 (0) 27 63-807-0
Telefax +49 (0) 27 63-807-77
E-mail verkauf@norwe.de
Internet www.norwe.de
www.norwe.eu

NORWE Inc.

P.O. Box 25 11
North Canton, OH 44720-0511
United States of America
Telefon +1-330 497-8113
Telefax +1-330 305-0592
E-mail usa@norwe.com
Internet www.norwe.com



Valid version of
data sheet online

QR Online-Version