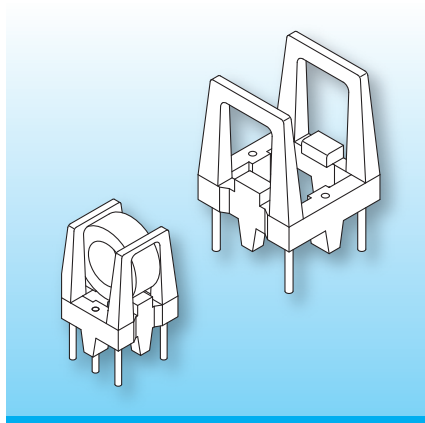


Toroidal Core Carriers (RK-H)

The carriers are made in gfr Polyamide PA66 of type A RV250 nat. (RTI long-range temperature +100 °C). Pin material: tin bronze, tinned. Maximum solder temperature 350 °C, 2 sec. Special materials – e.g. irradiated cross-linked – and designs on request, dimensions in mm/*inch*.



The new series of toroidal core carriers allows the vertical assembly of toroidal cores without potting. The toroidal core is fixed by two spring brackets. The winding wires can be routed through the centre during assembly and bound on to the solder-pins.

The design features stand-offs to ensure stability and avoid cold-solder joints into the PCB. Additional glueing is possible to secure the toroidal core to the carrier.

Type

Carrier: RK-H 12,7/-8/2,54-ee/A RV250 nat.
Solder-pin: z809/ua

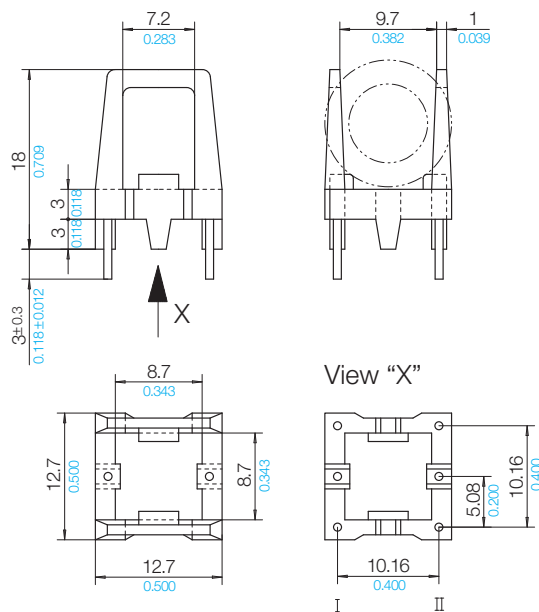
Order-Code

66231-106
73295-212

Accessories

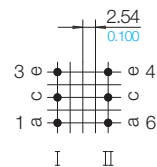
wound toroidal core

diameter max.
Ø 13.0/Ø 0.512



Grid

View pin-side



16 B 2 K

© 08/2018 by NORWE GmbH

Warranties:
refer to Terms and Conditions of Sale

NORWE GmbH

Postfach 13 56
51691 Bergneustadt
Paulstraße 5, Pernze
51702 Bergneustadt
Deutschland

Telefon +49 (0) 27 63-807-0
Telefax +49 (0) 27 63-807-77
E-mail verkauf@norwe.de
Internet www.norwe.de
www.norwe.eu

NORWE Inc.

P.O. Box 25 11
North Canton, OH 44720-0511
United States of America
Telefon +1-330 497-8113
Telefax +1-330 305-0592
E-mail usa@norwe.com
Internet www.norwe.com



Valid version of
data sheet online

QR Online-Version