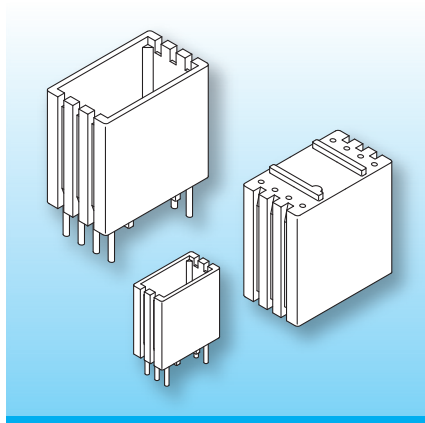


Toroidal Core Potting Box (RV)

The potting boxes are made in gfr Polyamide PA66 of type p6g (RTI long-range temperature +125 °C). Pin material: tin bronze, tinned. Maximum solder temperature 350 °C, 2 sec. Special materials – e.g. irradiated cross-linked – and designs on request, dimensions in mm/*inch*.



Potting boxes designed for full potting. Easy wire routing through external grooves. "Stand offs" on the bottom of the boxes avoid cold-solder joints into the pcb. Plastic covers which can be stamped are available.

Type

Box: RV 32-15/-8/2.5-gm/p6g
Solder-pin: z808/ua

Order-Code

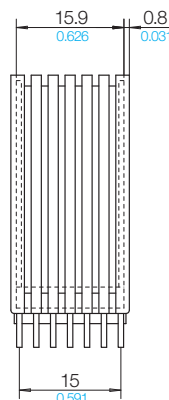
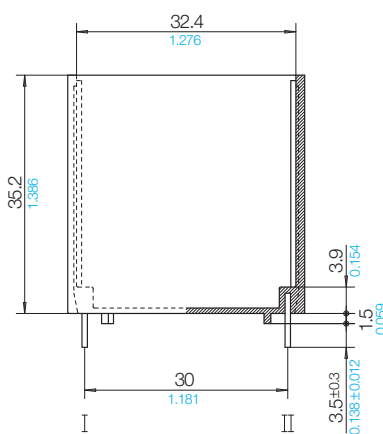
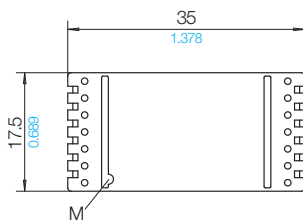
66204-024
73294-212

Accessories

Cover RD 32-15

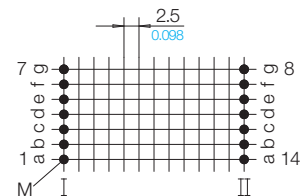
wound toroidal core

diameter Ø 32.4/Ø 1.276
width 15.9/0.626



Grid

View pin-side



© 04/2014 by NORWE GmbH

Warranties:
refer to Terms and Conditions of Sale

NORWE GmbH

Postfach 13 56
51691 Bergneustadt
Paulstraße 5, Pernze
51702 Bergneustadt
Deutschland

Telefon +49 (0) 27 63-807-0
Telefax +49 (0) 27 63-807-77
E-mail verkauf@norwe.de
Internet www.norwe.de
www.norwe.eu

NORWE Inc.

P.O. Box 25 11
North Canton, OH 44720-0511
United States of America
Telefon +1-330 497-8113
Telefax +1-330 305-0592
E-mail usa@norwe.com
Internet www.norwe.com



Valid version of
data sheet online

QR Online-Version