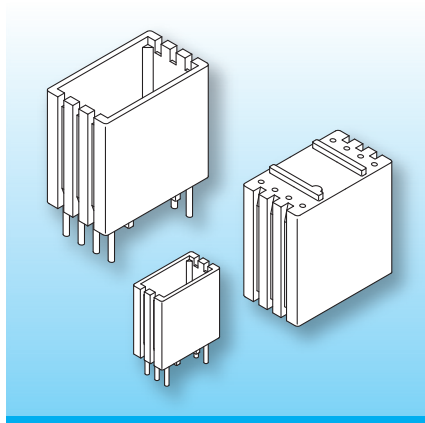


## Toroidal Core Potting Box (RV)

The potting boxes are made in gfr Polyamide PA66 of type p6g (RTI long-range temperature +125 °C). Pin material: tin bronze, tinned. Maximum solder temperature 350 °C, 2 sec. Special materials – e.g. irradiated cross-linked – and designs on request, dimensions in mm/*inch*.



Potting boxes designed for full potting. Easy wire routing through external grooves. "Stand offs" on the bottom of the boxes avoid cold-solder joints into the pcb. Plastic covers which can be stamped are available.

### Type

Box: RV 27-13/-8/2.5-fk/p6g  
Solder-pin: z808/ua

### Order-Code

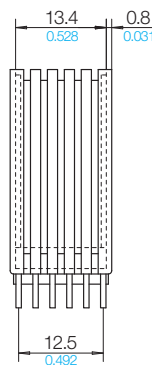
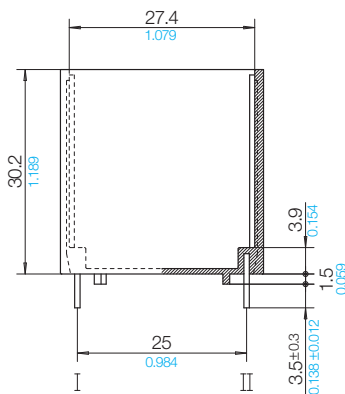
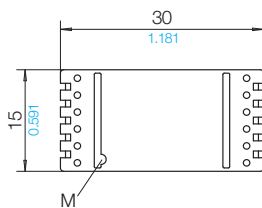
66203-024  
73294-212

### Accessories

Cover RD 27-13

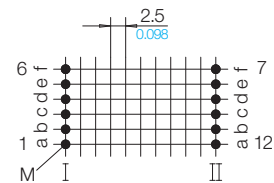
### wound toroidal core

diameter Ø 27.4/Ø 1.079  
width 13.4/0.528



### Grid

View pin-side



© 04/2014 by NORWE GmbH

Warranties:  
refer to Terms and Conditions of Sale



Valid version of  
data sheet online

QR Online-Version

### NORWE GmbH

Postfach 13 56  
51691 Bergneustadt  
Paulstraße 5, Pernze  
51702 Bergneustadt  
Deutschland  
Telefon +49 (0) 27 63-807-0  
Telefax +49 (0) 27 63-807-77  
E-mail verkauf@norwe.de  
Internet www.norwe.de  
www.norwe.eu

### NORWE Inc.

P.O. Box 25 11  
North Canton, OH 44720-0511  
United States of America  
Telefon +1-330 497-8113  
Telefax +1-330 305-0592  
E-mail usa@norwe.com  
Internet www.norwe.com