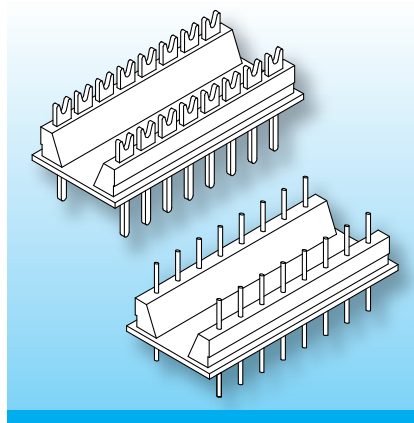


DIL-Sockets with Stand-offs

The sockets are made in gfr Poly-butylene Terephthalate PBT of type pcg (RTI long-range temperature 130°C). Solder-tag material is brass tinned and solder-pin material is tin bronze, tinned.

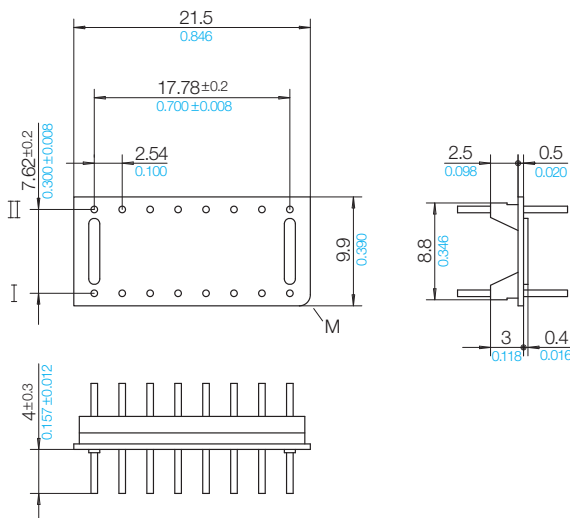
Maximum solder temperature 350°C, 2 sec.

Special materials – e.g. irradiated cross-linked – and designs on request, dimensions in mm/*inch*.



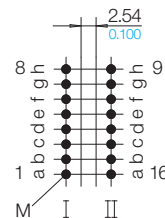
DIL-Sockets (Dual-In-Line) are suitable for complex circuits such as logic circuits, resistor networks or diode matrix. The sockets feature “stand-offs” which allow clean soldering of the wires and of the sockets onto the pcb. A suitable DIL-Box is available.

Type	Order-Code	Accessories
Socket: U 16/-6/pcg Solder-pin: m610/ua	65231-047 70118-212	DIL-Box D16-7 DIL-Box D16-10



Grid

View pin-side



© 08/2012 by NORWE GmbH

All dimensions in mm/inch

The permissible deviations according to DIN 16901 apply as tolerances

Warranties:
refer to Terms and Conditions of Sale



Valid version of
data sheet online

QR Online-Version

NORWE GmbH

Postfach 13 56
51691 Bergneustadt
Paulstraße 5, Pernze
51702 Bergneustadt

Deutschland

Telefon +49 (0) 27 63-807-0
Telefax +49 (0) 27 63-807-77
E-mail verkauf@norwe.de
Internet www.norwe.de
www.norwe.eu

NORWE Inc.

P.O. Box 25 11
North Canton, OH 44720-0511
United States of America

Telefon +1-330 497-8113
Telefax +1-330 305-0592
E-mail usa@norwe.com
Internet www.norwe.com