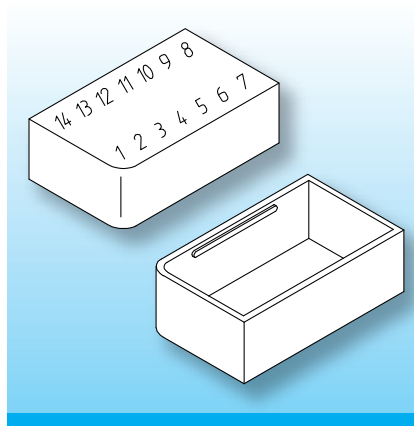


## DIL-Boxes

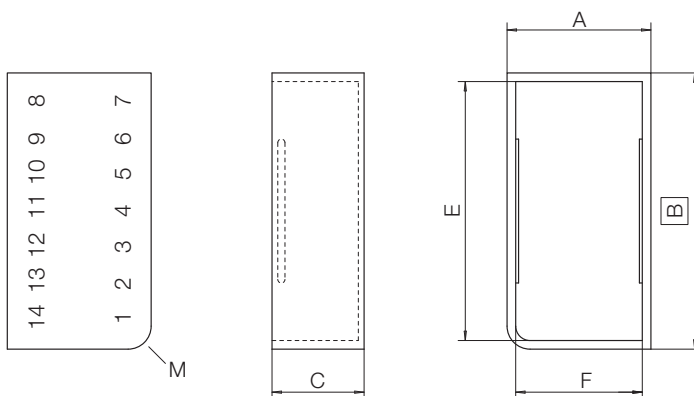
The boxes are made in gfr Polybutylene Terephthalate PBT of type pcg (RTI long-range temperature +130°C).

Special materials and designs on request, dimensions in mm/*inch*.



The boxes are available in two heights, dimensions to match DIL-Sockets. They feature a corner-marking which allows an easy assembly with the sockets and can be used as an orientation to the pcb.

Type	Order-Code	A	B	C	E	F	matching DIL-socket
D 14-7/pcg	65193-047	10.0 0.394	19.2 0.756	6.4 0.252	18.0 0.709	8.8 0.346	U 14/s-/pcg U 14/-6/pcg
D 14-10/pcg	65143-047	10.0 0.394	19.2 0.756	10.0 0.394	18.0 0.709	8.8 0.346	U 14/s-/pcg U 14/-6/pcg
D 16-7/pcg	65293-047	10.0-0.2 0.394-0.008	21.7 0.854	6.5 0.256	20.5 0.807	8.9+0.1 0.350+0.004	U 16/s-/pcg U 16/-6/pcg
D 16-10/pcg	65243-047	10.0-0.2 0.394-0.008	21.7 0.854	10.0 0.394	20.5 0.807	8.9+0.1 0.350+0.004	U 16/s-/pcg U 16/-6/pcg



### © 08/2012 by NORWE GmbH

All dimensions in mm/inch

The permissible deviations according to DIN 16901 apply as tolerances

Warranties:  
refer to Terms and Conditions of Sale



Valid version of  
data sheet online

QR Online-Version

### NORWE GmbH

Postfach 13 56  
51691 Bergneustadt  
Paulstraße 5, Pernze  
51702 Bergneustadt

Deutschland

Telefon +49 (0) 27 63-807-0  
Telefax +49 (0) 27 63-807-77  
E-mail verkauf@norwe.de  
Internet www.norwe.de  
www.norwe.eu

### NORWE Inc.

P.O. Box 25 11  
North Canton, OH 44720-0511  
United States of America

Telefon +1-330 497-8113  
Telefax +1-330 305-0592  
E-mail usa@norwe.com  
Internet www.norwe.com