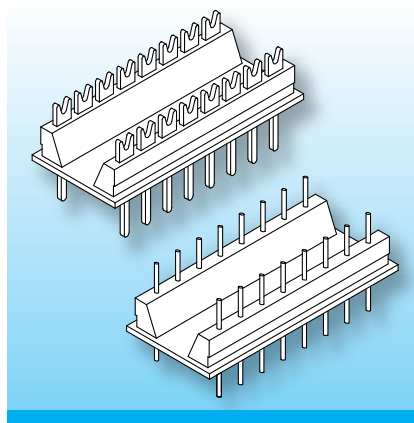


## DIL-Sockets with Stand-offs

The sockets are made in gfr Poly-butylene Terephthalate PBT of type pcg (RTI long-range temperature 130°C). Solder-tag material is brass tinned and solder-pin material is tin bronze, tinned.

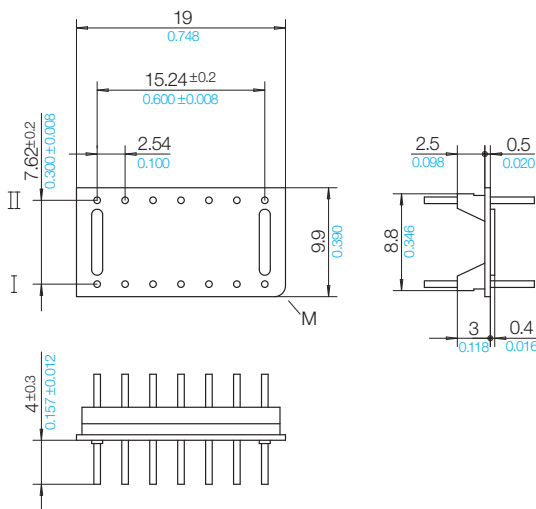
Maximum solder temperature 350°C, 2 sec.

Special materials – e.g. irradiated cross-linked – and designs on request, dimensions in mm/*inch*.



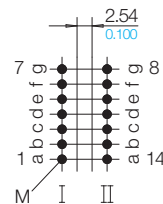
DIL-Sockets (Dual-In-Line) are suitable for complex circuits such as logic circuits, resistor networks or diode matrix. The sockets feature “stand-offs” which allow clean soldering of the wires and of the sockets onto the pcb. A suitable DIL-Box is available.

Type	Order-Code	Accessories
Socket: U 14/-6/pcg Solder-pin: m610/ua	65131-047 70118-212	DIL-Box D14-7 DIL-Box D14-10



## Grid

View pin-side



## © 08/2012 by NORWE GmbH

All dimensions in mm/inch

The permissible deviations according to DIN 16901 apply as tolerances

Warranties:  
refer to Terms and Conditions of Sale



Valid version of  
data sheet online

QR Online-Version

## NORWE GmbH

Postfach 13 56  
51691 Bergneustadt  
Paulstraße 5, Pernze  
51702 Bergneustadt

Deutschland

Telefon +49 (0) 27 63-807-0  
Telefax +49 (0) 27 63-807-77  
E-mail [verkauf@norwe.de](mailto:verkauf@norwe.de)  
Internet [www.norwe.de](http://www.norwe.de)  
[www.norwe.eu](http://www.norwe.eu)

## NORWE Inc.

P.O. Box 25 11  
North Canton, OH 44720-0511  
United States of America

Telefon +1-330 497-8113  
Telefax +1-330 305-0592  
E-mail [usa@norwe.com](mailto:usa@norwe.com)  
Internet [www.norwe.com](http://www.norwe.com)