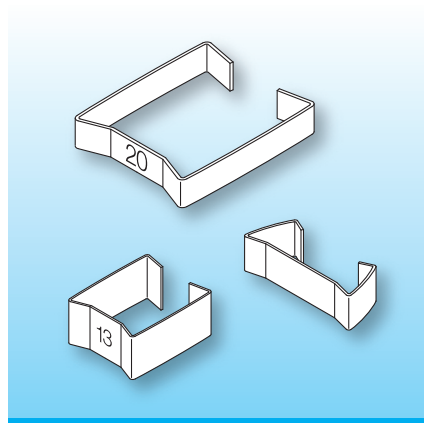


Spring-Clips SB-SMD

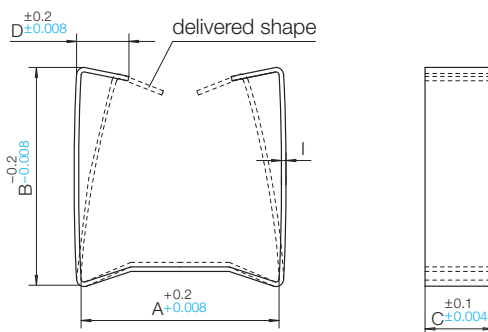
The Spring-Clips are for assembling the ferrite cores and holding them together. The process is simple and cost-effective. The clips surround the whole outside of the ferrite cores and keep them under constant pressure. Variations of operating temperature has no effect on clamping pressure. One clip is required per assembly.



Special materials and designs on request, dimensions in mm/*inch*.

When ordering please quote type and order-code.

Type	Order-Code		A	B	C	D	I
SB – EF 5/sa	N0356-085	on request	5.4 0.213	6.0 0.236	2.0 0.079	1.6 0.063	0.15 0.006
SB – EF 6.3/sa	N0378-085	on request	6.6 0.260	6.0 0.236	2.0 0.079	1.8 0.071	0.15 0.006
SB – EF 8.8/sa	N0379-085	on request	9.5 0.374	9.0 0.354	2.0 0.079	2.0 0.079	0.20 0.008
SB – EF 10/sa	N0134-085	on request	10.3 0.406	10.8 0.425	2.5 0.098	2.5 0.098	0.20 0.008
SB – EF 12.6/sa	78940-085		13.1 0.516	14.0 0.551	3.5 0.138	3.0 0.118	0.25 0.010
SB – EF 16/sa	78941-085		16.7 0.657	17.4 0.685	4.5 0.177	4.0 0.157	0.30 0.012



shown Spring-Clip SB-EF 10

15 F 0 K / 15 F 0 K / 15 F 0 K / 15 F 0 K / 15 B 5 S / 15 C 5 S

© 08/2018 by NORWE GmbH

Warranties:
refer to Terms and Conditions of Sale

NORWE GmbH

Postfach 13 56
51691 Bergneustadt
Paulstraße 5, Pernze
51702 Bergneustadt
Deutschland
Telefon +49 (0) 27 63-807-0
Telefax +49 (0) 27 63-807-77
E-mail verkauf@norwe.de
Internet www.norwe.de
www.norwe.eu

NORWE Inc.

P.O. Box 25 11
North Canton, OH 44720-0511
United States of America
Telefon +1-330 497-8113
Telefax +1-330 305-0592
E-mail usa@norwe.com
Internet www.norwe.com



Valid version of
data sheet online

QR Online-Version