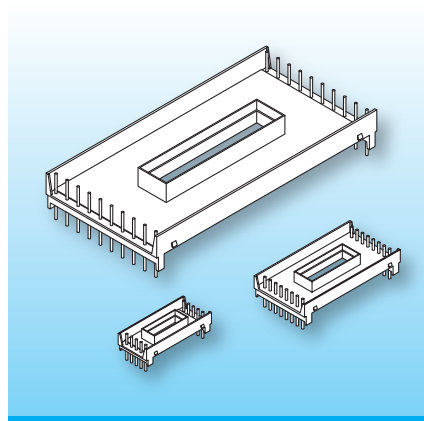


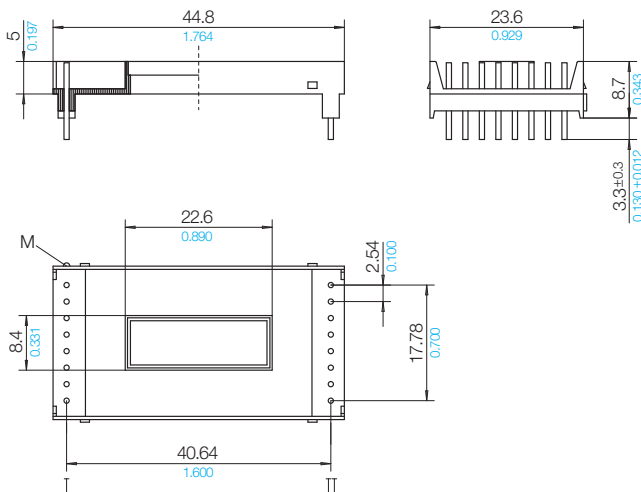
## PLANAR Coilformers – Solder Connect

The planar coilformers are made in gfr Polyamide PA66 of type A RV250 nat. (RTI long-range temperature +100°C).  
 Pin material: tin bronze, tinned.  
 Maximum solder temperature 350°C, 2 sec.  
 Special materials – e.g. irradiated cross-linked – and designs on request, dimensions in mm/inch.

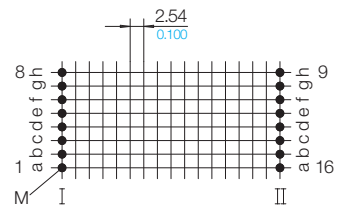


Planar coilformers with solder-connections were developed for individual and easily changeable winding designs. Electrical connections are via solder-pins located outside the core-area. This also allows the use of different winding carriers, pcb, foil or copper stamping in the same winding design.

Type	Order-Code	Accessories
Coilformer: E 32-20/Planar/16-8/A RV250 nat. Solder-pin: z812/ua	17008-106 73298-212	Cover E 32-20



### Grid View pin-side



14 B 1 M

### © 08/2018 by NORWE GmbH

Warranties:  
refer to Terms and Conditions of Sale

### NORWE GmbH

Postfach 13 56  
 51691 Bergneustadt  
 Paulstraße 5, Pernze  
 51702 Bergneustadt  
 Deutschland  
 Telefon +49 (0) 27 63-807-0  
 Telefax +49 (0) 27 63-807-77  
 E-mail verkauf@norwe.de  
 Internet www.norwe.de  
 www.norwe.eu

### NORWE Inc.

P.O. Box 25 11  
 North Canton, OH 44720-0511  
 United States of America  
 Telefon +1-330 497-8113  
 Telefax +1-330 305-0592  
 E-mail usa@norwe.com  
 Internet www.norwe.com



Valid version of  
data sheet online

QR Online-Version