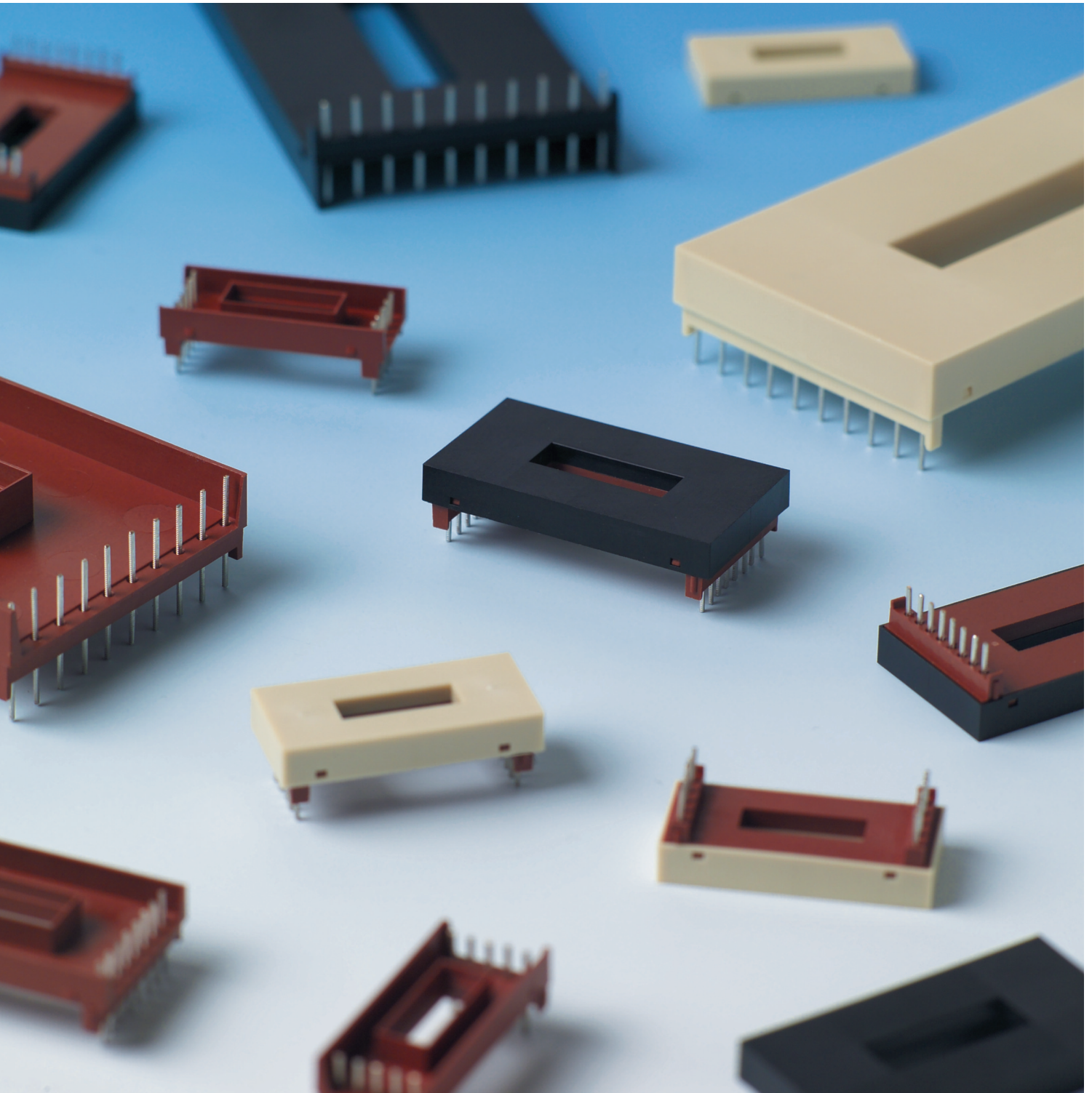


Planar Coilformers and Components



This catalogue of coilformers contains information on all our products of the Planar-Components

This range of PLANAR Coilformers is for inductors using self-supporting winding packages on pcb's or pc-foils. Employing new ferrite grades superior electric performance is achieved in comparison with conventional windings. Comparable performances are realized with much lower space requirements, particularly overall-height.

Our extensive range of modular tooling allows almost unlimited constructional changes, to customers specification, often by simple changes of tool inserts. In addition, our modular tooling system allows short tooling times and is also cost effective.

All dimensions in mm/inch. The permissible deviations according to DIN 16901 apply as tolerances. Should you need further assistance or advice, please contact us.

Fully tagged or pinned coilformers – in small quantities – are usually available at short lead-times from stock. On request we can also quote for coilformers with pinning to your requirements. All lead-times are relatively short.

© 10/2013 by NORWE GmbH

All dimensions in mm/inch

The permissible deviations according to DIN 16901 apply as tolerances

Warranties:
refer to Terms and Conditions of Sale



Valid version of
data sheet online

QR Online-Version

NORWE GmbH

Postfach 13 56
51691 Bergneustadt

Paulstraße 5, Pernze
51702 Bergneustadt

Deutschland

Telefon +49 (0) 27 63-807-0
Telefax +49 (0) 27 63-807-77
E-mail verkauf@norwe.de
Internet www.norwe.de
www.norwe.eu

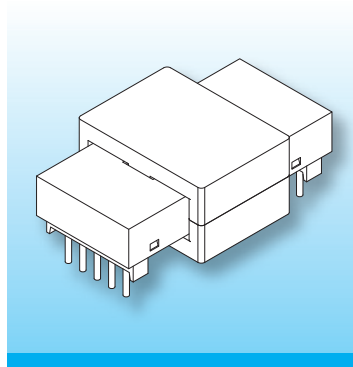
NORWE Inc.

P.O. Box 25 11
North Canton, OH 44720-0511
United States of America

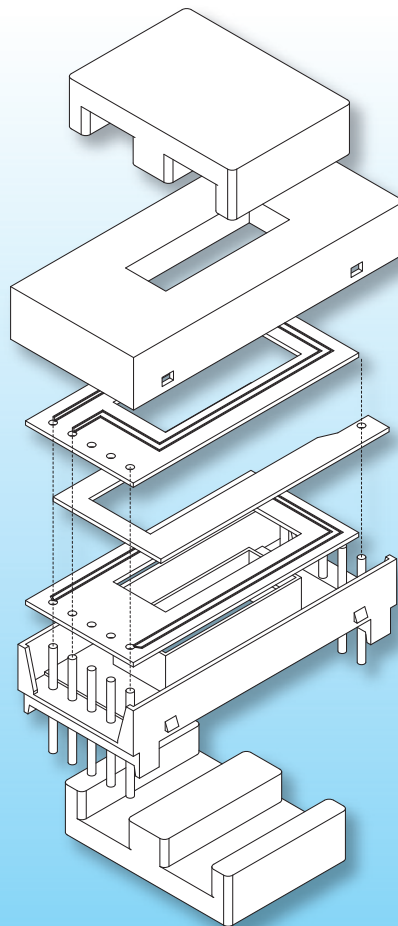
Telefon +1-330 497-8113
Telefax +1-330 305-0592
E-mail usa@norwe.com
Internet www.norwe.com

PLANAR Coilformers – Solder Connect

This range of PLANAR Coilformers is for inductors using self-supporting winding packages on pcb's or pc-foils. Employing new ferrite grades superior electric performance is achieved in comparison with conventional windings.



Comparable performances are realized with much lower space requirements, particularly overall-height.



© 10/2013 by NORWE GmbH

All dimensions in mm/inch

The permissible deviations according to DIN 16901 apply as tolerances

Warranties: refer to Terms and Conditions of Sale



Valid version of data sheet online

QR Online-Version

NORWE GmbH

Postfach 13 56
51691 Bergneustadt
Paulstraße 5, Pernze
51702 Bergneustadt
Deutschland
Telefon +49 (0) 27 63-807-0
Telefax +49 (0) 27 63-807-77
E-mail verkauf@norwe.de
Internet www.norwe.de
www.norwe.eu

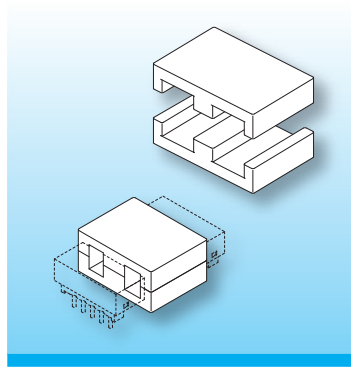
NORWE Inc.

P.O. Box 25 11
North Canton, OH 44720-0511
United States of America
Telefon +1-330 497-8113
Telefax +1-330 305-0592
E-mail usa@norwe.com
Internet www.norwe.com

Planar Ferrite Cores

The tables below show the dimensions of the ferrite cores for the coilformers shown in this catalogue. The data can be used as an orientation in the design of application specific converters.

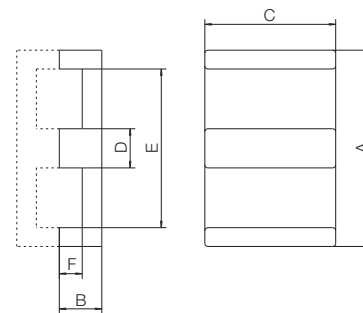
Specific details on the ferrite cores and materials should be available from the catalogues of the ferrite manufacturers.



l_e - effective length
 A_e - effective area
 A_{min} - minimum area
 V_e - effective volume

Dimensions in mm/inch.

Magnetic Characteristics per set	l_e mm	A_e mm ²	A_{min} mm ²	V_e mm ³
EE 14 Low Profile	20.7 0.815	14.3 0.022	13.9 0.022	296 0.018
EE 18 Low Profile	24.3 0.957	39.3 0.061	38.9 0.060	955 0.058
EE 22 Low Profile	32.5 1.280	78.3 0.121	77.9 0.121	2540 0.155
EE 32 Low Profile	41.4 1.630	130.0 0.202	128.0 0.198	5390 0.329
EE 38 Low Profile	52.4 2.063	194.0 0.301	192.0 0.298	10200 0.622
EE 43 Low Profile	61.1 2.406	229.0 0.355	225.0 0.349	14000 0.854
EE 58 Low Profile	80.7 3.177	310.0 0.481	308.0 0.477	25000 1.526
EE 64 Low Profile	79.9 3.146	519.0 0.804	518.0 0.803	41500 2.532



Type	A	B	C	D	E	F
EE 14 Low Profile	14.00 ±0.30 0.551 ±0.012	3.50 ±0.10 0.138 ±0.004	5.00 ±0.10 0.197 ±0.004	3.00 ±0.05 0.118 ±0.002	11.0 ±0.25 0.433 ±0.010	2.00 ±0.10 0.079 ±0.004
EE 18 Low Profile	18.00 ±0.35 0.709 ±0.014	4.00 ±0.10 0.157 ±0.020	10.00 ±0.20 0.205 ±0.008	4.00 ±0.10 0.157 ±0.004	14.0 ±0.30 0.551 ±0.012	2.00 ±0.10 0.079 ±0.004
EE 22 Low Profile	21.80 ±0.40 0.858 ±0.016	5.70 ±0.10 0.224 ±0.004	15.80 ±0.30 0.622 ±0.012	5.00 ±0.10 0.197 ±0.004	16.8 ±0.40 0.661 ±0.016	3.20 ±0.10 0.126 ±0.004
EE 32 Low Profile	31.75 ±0.65 1.250 ±0.026	6.35 ±0.15 0.250 ±0.006	20.35 ±0.40 0.801 ±0.016	6.35 ±0.15 0.250 ±0.006	25.4 ±0.50 1.000 ±0.020	3.20 ±0.15 0.126 ±0.006
EE 38 Low Profile	38.10 ±0.80 1.500 ±0.031	8.25 ±0.15 0.325 ±0.006	25.40 ±0.55 1.000 ±0.022	7.60 ±0.20 0.299 ±0.008	30.8 ±0.60 1.213 ±0.024	4.45 ±0.15 0.175 ±0.006
EE 43 Low Profile	43.20 ±0.90 1.701 ±0.035	9.50 ±0.15 0.374 ±0.020	27.90 ±0.60 0.205 ±0.024	8.10 ±0.20 0.319 ±0.008	35.4 ±0.70 1.394 ±0.028	5.40 ±0.15 0.213 ±0.006
EE 58 Low Profile	58.40 ±1.20 2.299 ±0.047	10.55 ±0.15 0.415 ±0.006	38.10 ±0.80 1.500 ±0.031	8.10 ±0.20 0.319 ±0.008	51.1 ±1.10 2.012 ±0.043	6.50 ±0.15 0.256 ±0.006
EE 64 Low Profile	64.00 ±1.30 2.520 ±0.051	10.20 ±0.15 0.402 ±0.006	50.80 ±1.10 2.000 ±0.043	10.20 ±0.20 0.402 ±0.008	53.6 ±1.10 2.110 ±0.043	5.10 ±0.15 0.201 ±0.006

© 10/2013 by NORWE GmbH

All dimensions in mm/inch

The permissible deviations according to DIN 16901 apply as tolerances

Warranties:
refer to Terms and Conditions of Sale



Valid version of data sheet online

QR Online-Version

NORWE GmbH

Postfach 13 56
51691 Bergneustadt
Paulstraße 5, Pernze
51702 Bergneustadt
Deutschland

Telefon +49 (0) 27 63-807-0
Telefax +49 (0) 27 63-807-77
E-mail verkauf@norwe.de
Internet www.norwe.de
www.norwe.eu

NORWE Inc.

P.O. Box 25 11
North Canton, OH 44720-0511
United States of America

Telefon +1-330 497-8113
Telefax +1-330 305-0592
E-mail usa@norwe.com
Internet www.norwe.com

Thermoplastic Materials

The following survey contains supplementary information on the different thermoplastic-qualities. The material quality orientates to the conventional use of the components. For technical reasons alternative materials cannot be used for all articles. Consult our qualified specialists regarding your individual material requests – we will be pleased to check whether your material requirements can be realized. Further information on the materials can also be obtained from our homepage (e.g. to call up the UL cards).

NORWE Mat.-Code	NORWE Mat.-Description	Chemical Symbol	Tradename, Manufacturer	UL-File-No.	Flammability Rating acc. UL 94	RTI Elec acc. UL
009	p6g nat.	PA66 Polyamide 66	AKV30H nature Durethan Lanxess AG	E 245249	HB (0.75)	+125°C
010	eg7	PA66 Polyamide 66	A3EG7 Ultramid BASF AG	E 41871	HB (0.75)	+120°C
024	p6g	PA66 Polyamide 66	PA66 30% GF black Compound	–	–	(+125°C)
087	rtg nat.	PET Polyethylene Terephthalate	FR 530 L Rynite DuPont	E 41938	V-0 (0.35)	+155°C
106	A RV250 nat.	PA66 Polyamid 66	Radiflam A RV250 AF RADICINOVACIPS SPA	E116324	V-0 (0.75)	+100°C
181	A3X2G10	PA66 Polyamide 66	A3X2G10 Ultramid BASF AG	E 41871	V-0 (1.50)	+115°C
243	Zen.6130L, black	LCP Liquid Crystal Polymer	6130L black Zenite TICONA	E 344082	V-0 (0.38)	+240°C

Explanations on the above survey of materials:

- NORWE Mat.-Code designates the number NORWE fixed for the material.
- NORWE Mat.-Description names the NORWE-abbreviation for the material.
- Chemical Symbol classifies the chemical product group of the material.
- Tradename designates the product name or trade name fixed by the manufacturer.
- Manufacturer name of manufacturer.
- UL-File-No. material quality tested and certified with respect to safety and flammability. The manufacturers of certified and approved products receive a so-called recognition card (yellow card) in which the product qualities are listed in detail. You find all relevant yellow cards – also called UL cards – for different material qualities on our website www.norwe.de or can obtain them from us. You can call up all relevant yellow cards – also called UL cards – for different material qualities just by clicking on the respective UL-file-number.
- Flammability Rating acc. UL determines the flammability of plastic materials based on burning tests in accordance with UL 94 considering the wall thickness of the material.
- RTI (Elec.) Relative Temperature Index according to UL 746 B. The specified temperatures are valid for long-range electrical load (Elec).

© 08/2018 by NORWE GmbH

All dimensions in mm/inch

The permissible deviations according to DIN 16901 apply as tolerances

Warranties:
refer to Terms and Conditions of Sale



Valid version of
data sheet online

QR Online-Version

NORWE GmbH

Postfach 13 56
51691 Bergneustadt
Paulstraße 5, Pernze
51702 Bergneustadt
Deutschland
Telefon +49 (0) 27 63-807-0
Telefax +49 (0) 27 63-807-77
E-mail verkauf@norwe.de
Internet www.norwe.de
www.norwe.eu

NORWE Inc.

P.O. Box 25 11
North Canton, OH 44720-0511
United States of America
Telefon +1-330 497-8113
Telefax +1-330 305-0592
E-mail usa@norwe.com
Internet www.norwe.com

NORWE[®]

© 04/2014 by **NORWE GmbH**

Warranties:
refer to Terms and Conditions of Sale

NORWE GmbH

Postfach 13 56
51691 Bergneustadt
Paulstraße 5, Pernze
51702 Bergneustadt

Deutschland

Telefon +49 (0) 27 63-807-0
Telefax +49 (0) 27 63-807-77
E-mail verkauf@norwe.de
Internet www.norwe.de
www.norwe.eu

NORWE Inc.

P.O. Box 25 11
North Canton, OH 44720-0511
United States of America

Telefon +1-330 497-8113
Telefax +1-330 305-0592
E-mail usa@norwe.com
Internet www.norwe.com



Contact to NORWE

NORWE – online

All informations, product specifications, latest news and as well our extensive service offering you find on our up-to-date websites.

Up-to-date product database

- enlarged, sophisticated search function
- comprehensive product survey
- Product Data Sheets as PDF-download
- complete product-catalogues as PDF-download

www.norwe.de

www.norwe.com

Up-to-date contacts

- contacts all over the world

www.norwe.eu

Up-to-date information

- data and facts of the company
- presence on trade fairs all over the world
- product innovations
- material database with UL-cards

www.coilformers.info

www.carretes.eu

Individual special designs

- problem solutions orientated to industries' demands

www.carreteis.info

www.carcasses.info

Current certifications

- EN ISO 9001:2008
- UL 746 D
- EN ISO 14001:2005
- AEOC

www.spulenkoerper.info

www.karkasi-katushek.info

Services

- qualified advice
- cost neutral sample request
- individual quotation request
- mobile access via QR-Code

www.corpi-bobina.info

© 10/2013 by NORWE GmbH

NORWE GmbH

Postfach 13 56
51691 Bergneustadt
Paulstraße 5, Pernze
51702 Bergneustadt
Deutschland
Telefon +49 (0) 27 63-807-0
Telefax +49 (0) 27 63-807-77
E-mail verkauf@norwe.de
Internet www.norwe.de
www.norwe.eu

NORWE Inc.

P.O. Box 25 11
North Canton, OH 44720-0511
United States of America
Telefon +1-330 497-8113
Telefax +1-330 305-0592
E-mail usa@norwe.com
Internet www.norwe.com



Contact to NORWE