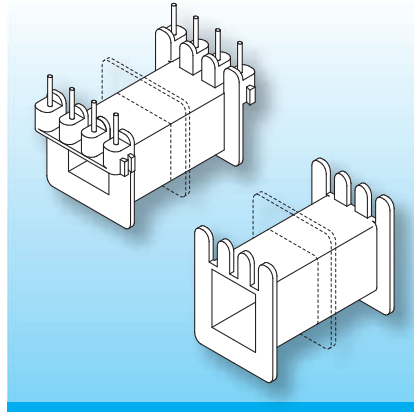


EI,UI Coilformers

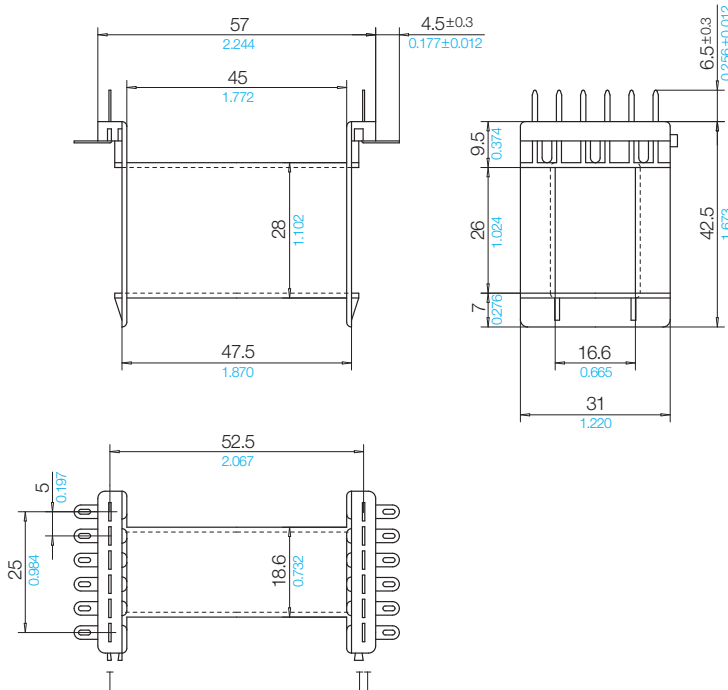
The coilformers are made in gfr Polyamide PA66 of type p6g (RTI long-range temperature +130°C). Pin material is tin bronze, tinned. Maximum solder temperature 350°C, 2sec. Special materials – e.g. irradiated cross-linked – and designs on request, dimensions in mm/inch.



Due to their designs with different connection systems (press-fit pins, bent over pins, solder-tags, etc.) the coilformer-versions allow radial as well as axial binding on of the wires, matching your individual fields of application.

We are about to draw up a catalogue of this extensive series step by step – you will find the latest survey of available components on our homepage. For special designs and dimensions as well as available accessories please contact our technical specialists.

Type	Order-Code	Accessories
Coilformer: 2UJ 48b/1k/2g3/5.0-kv/p6g	N0461-024	on request
Solder-tag: g3e/wc	73012-259	on request



Grid
View tag-side

