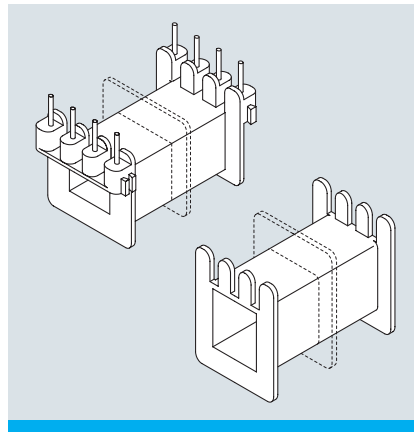


EI, UI Coilformers

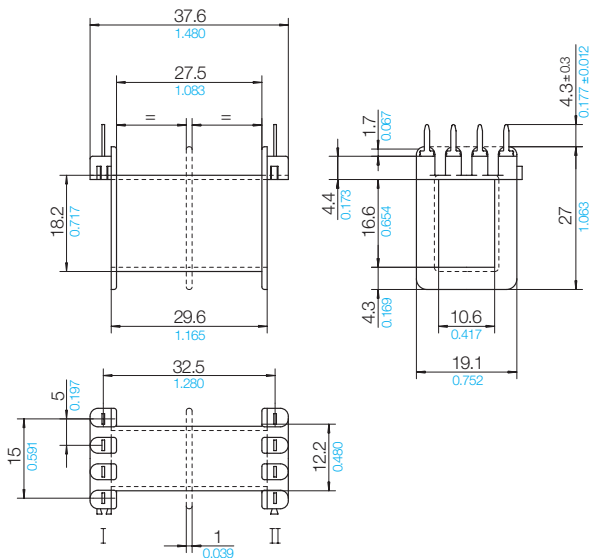
The coilformers are made in Polyamide PA66 gfr, UL 94 HB, temperature for longterm use at +130 °C. The material used is tin bronze, tinned (solder-pins) or brass, tinned (solder-tags). Maximum solder temperature 350 °C, 2 sec. (Special materials and designs on request, dimensions in mm/*inch*).



Due to their designs with different connection systems (press-fit pins, bent over pins, soldertags, etc.) the coilformer-versions allow radial as well as axial binding on of the wires, matching your individual fields of application.

We are about to draw up a catalogue of this extensive series step by step – you will find the latest survey of available components on our homepage. For special designs and dimensions as well as available accessories please contact our technical specialists.

Type	Order-Code	Accessories
Coilformer: 2UJ 30b/1k/1g2-/5.0-gn/p6g	08 7 1 0 - 0 2 4	on request
Coilformer: 2UJ 30b/2k/1g2-/5.0-gn/p6g	08 7 1 1 - 0 2 4	
Solder-tag: g2s/wd	7 1 0 4 0 - 2 6 1	



Grid

View tag-side

