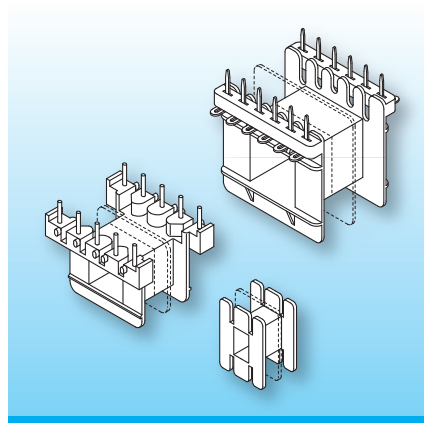


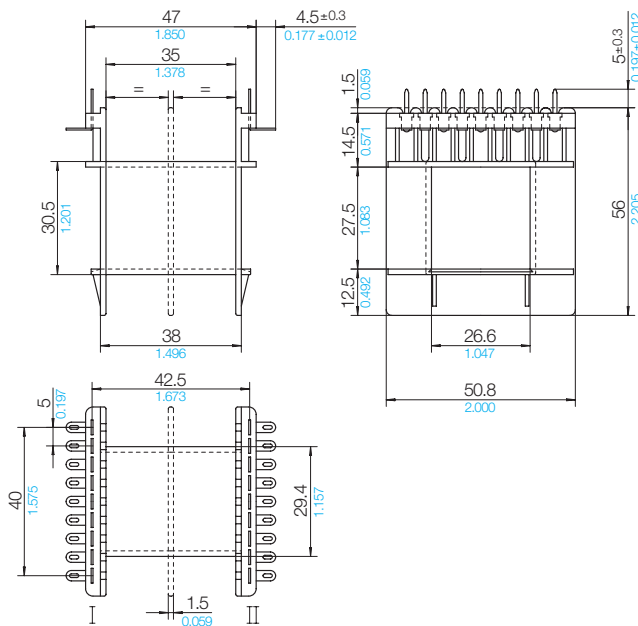
EI Coilformers Horizontal

The coilformers are made in gfr Polyamide PA66 of type p6g (RTI long-range temperature +125°C). Pin material is tin bronze, tinned or brass, tinned for tags.
 Maximum solder temperature 350°C, 2 sec.
 Special materials – e.g. irradiated cross-linked – and designs on request, dimensions in mm/*inch*.

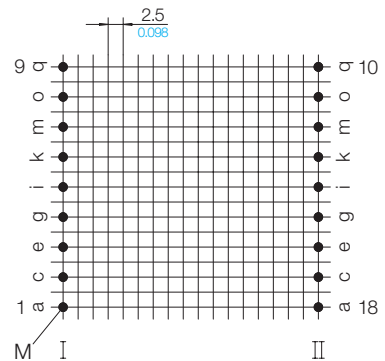


Due to their designs with different connection systems (press-fit pins, bent over pins, solder-tags, etc.) the coilformer-versions allow radial as well as axial binding on of the wires, matching your individual fields of application.
 For special designs and dimensions as well as available accessories please contact our technical specialists.

Type	Order-Code	Accessories
Coilformer: EJ 78/1k/2g3-/5.0-qr/p6g	06970-024	
Coilformer: EJ 78/2k/2g3-/5.0-qr/p6g	06971-024	
Solder-tag: g3e/wc	73012-259	



Grid
View tag-side



13 B 2 K / 13 B 2 K

© 05/2022 by NORWE GmbH

All dimensions in mm/*inch*
 The permissible deviations according to DIN 16901 apply as tolerances
 Warranties: refer to Terms and Conditions of Sale



Valid version of data sheet online

QR Online-Version

NORWE GmbH

Paulstraße 5, Pernze
 51702 Bergneustadt
 Deutschland
 Telefon +49 (0) 27 63-807-0
 E-mail verkauf@norwe.de
 Internet www.norwe.de
 www.norwe.eu

NORWE Inc.

P.O. Box 25 11
 North Canton, OH 44720-0511
 United States of America
 Telefon +1-330 497-8113
 E-mail usa@norwe.com
 Internet www.norwe.com