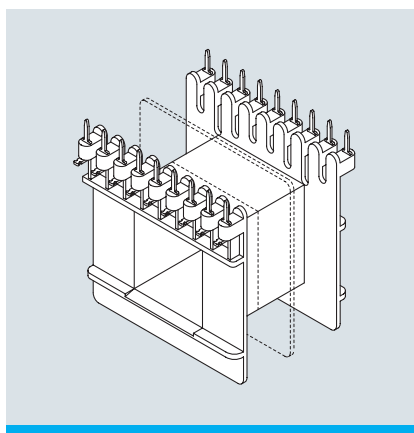


## EI, UI Coilformers

The coilformers are made in Polyamide PA66 gfr, UL 94 HB, temperature for longterm use at +130 °C.

The material used is tin bronze, tinned (solder-pins) or brass, tinned (solder-tags).

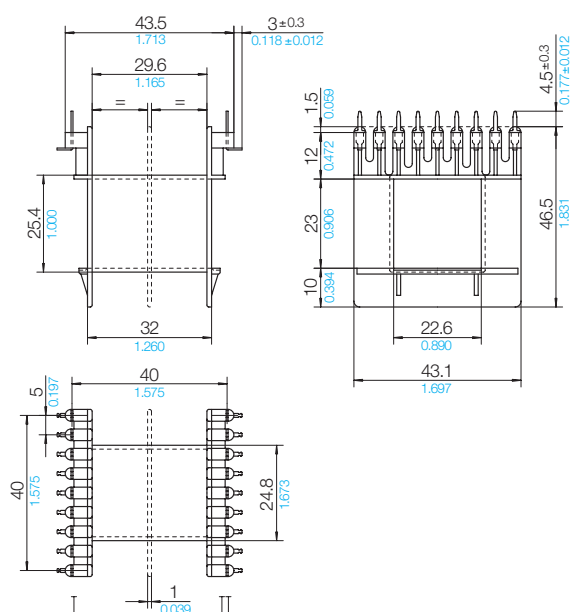
Maximum solder temperature 350 °C, 2 sec. (Special materials and designs on request, dimensions in mm/inch).



Due to their designs with different connection systems (press-fit pins, bent over pins, soldertags, etc.) the coilformer-versions allow radial as well as axial binding on of the wires, matching your individual fields of application.

We are about to draw up a catalogue of this extensive series step by step – you will find the latest survey of available components on our homepage. For special designs and dimensions as well as available accessories please contact our technical specialists.

Type	Order-Code	Accessories
Coilformer: EJ 66/1k/2g2-/5.0-qq/p6g	06730-024	
Coilformer: EJ 66/2k/2g2-/5.0-qq/p6g	06731-024	
Solder-tag: g2c/wc	71070-259	
Solder-tag: g2r/wc	71150-259	



## Grid

View tag-side

