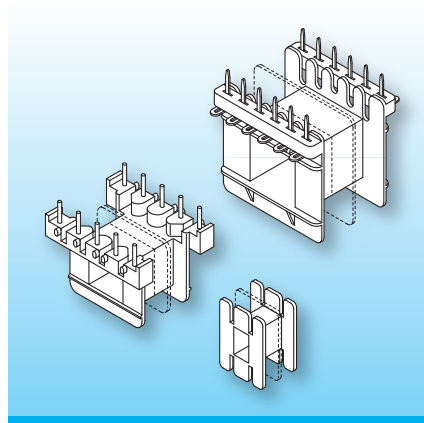



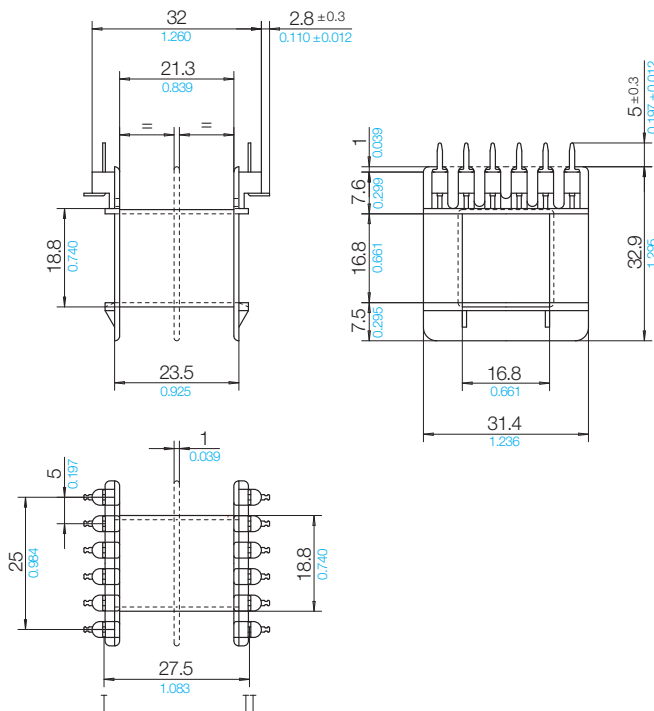
## EI Coilformers Horizontal

The coilformers are made in gfr Polyamide PA66 of type p6g (RTI long-range temperature +125°C). Pin material is tin bronze, tinned or brass, tinned for tags.  
 Maximum solder temperature 350°C, 2 sec.  
 Special materials – e.g. irradiated cross-linked – and designs on request, dimensions in mm/*inch*.

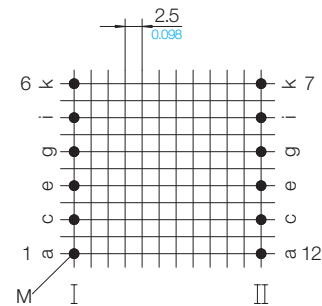


Due to their designs with different connection systems (press-fit pins, bent over pins, solder-tags, etc.) the coilformer-versions allow radial as well as axial binding on of the wires, matching your individual fields of application.  
 For special designs and dimensions as well as available accessories please contact our technical specialists.

Type	Order-Code	Accessories
Coilformer: EJ 48/1k/a2g2-/5.0-kl/p6g	N0455-024 	Potting Box EJ 48/vlc
Coilformer: EJ 48/2k/a2g2-/5.0-kl/p6g	05767-024	
Solder-tag: g2c/wc	71070-259	



**Grid**  
View tag-side



13 B 0 K / 13 B 2 K

© 01/2018 by NORWE GmbH

Warranties:  
refer to Terms and Conditions of Sale

**NORWE GmbH**

Postfach 13 56  
 51691 Bergneustadt  
 Paulstraße 5, Pernze  
 51702 Bergneustadt  
 Deutschland  
 Telefon +49 (0) 27 63-807-0  
 Telefax +49 (0) 27 63-807-77  
 E-mail verkauf@norwe.de  
 Internet www.norwe.de  
 www.norwe.eu

**NORWE Inc.**

P.O. Box 25 11  
 North Canton, OH 44720-0511  
 United States of America  
 Telefon +1-330 497-8113  
 Telefax +1-330 305-0592  
 E-mail usa@norwe.com  
 Internet www.norwe.com



Valid version of  
data sheet online

QR Online-Version