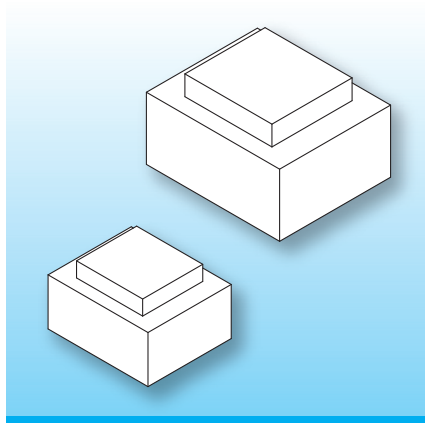


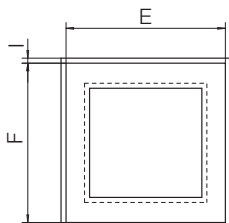
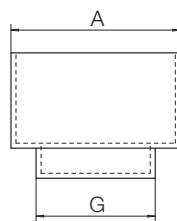
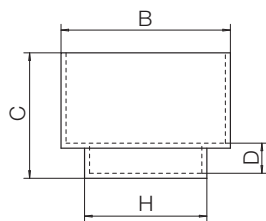
Potting Boxes

The boxes are made in gfr Polyamide PA66 of type p6g (RTI long-range temperature +125 °C) and CR-A3H2G6, black (RTI long-range temperature +110 °C). Special materials and designs on request, dimensions in mm/*inch*.



The potting boxes can be used to your special requirements. In particular they are suitable for potting safety transformers of the EJ series to meet required creepage and clearance dimensions. Should you need more detailed information please ask for our catalogues. To process your order correctly please indicate type of potting box and order-code.

Type	Order-Code	A	B	C	D	E	F	G	H	I
EJ 30/Mc/14.0/p6g	04830-024	32.4	27.4	14.8	4.0	25.8	30.8	22.8	20.8	0.8
		1.276	1.079	0.583	0.157	1.016	1.213	0.898	0.819	0.031
EJ 30/Mc/16.0/p6g	04831-024	32.4	27.4	16.8	4.0	25.8	30.8	22.8	20.8	0.8
		1.276	1.079	0.661	0.157	1.016	1.213	0.898	0.819	0.031
EJ 30/Mc/19.5/p6g	04832-024	32.4	27.4	20.3	4.0	25.8	30.8	22.8	20.8	0.8
		1.276	1.079	0.799	0.157	1.016	1.213	0.898	0.819	0.031
EJ 30/Mc/21.5/p6g	04833-024	32.4	27.4	22.3	4.0	25.8	30.8	22.8	20.8	0.8
		1.276	1.079	0.878	0.157	1.016	1.213	0.898	0.819	0.031
EJ 30/Mc/23.5/p6g	04834-024	32.4	27.4	24.3	4.0	25.8	30.8	22.8	20.8	0.8
		1.276	1.079	0.957	0.157	1.016	1.213	0.898	0.819	0.031
EJ 30/Mc/24.0/p6g	04820-024	32.4	27.4	24.8	4.0	25.8	30.8	22.8	20.8	0.8
		1.276	1.079	0.976	0.157	1.016	1.213	0.898	0.819	0.031
EJ 30/Mc/26.5/p6g	04899-024	32.4	27.4	27.3	4.0	25.8	30.8	22.8	20.8	0.8
		1.276	1.079	1.075	0.157	1.016	1.213	0.898	0.819	0.031



© 07/2016 by NORWE GmbH

Warranties:
refer to Terms and Conditions of Sale

NORWE GmbH

Postfach 13 56
51691 Bergneustadt
Paulstraße 5, Pernze
51702 Bergneustadt
Deutschland

Telefon +49 (0) 27 63-807-0
Telefax +49 (0) 27 63-807-77
E-mail verkauf@norwe.de
Internet www.norwe.de
www.norwe.eu

NORWE Inc.

P.O. Box 25 11
North Canton, OH 44720-0511
United States of America
Telefon +1-330 497-8113
Telefax +1-330 305-0592
E-mail usa@norwe.com
Internet www.norwe.com

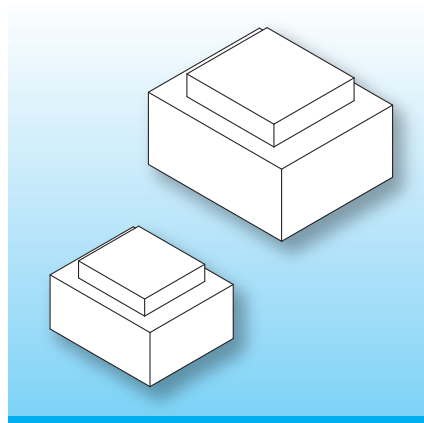


Valid version of
data sheet online

QR Online-Version

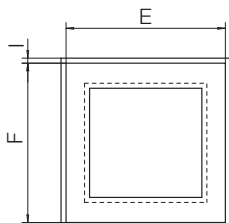
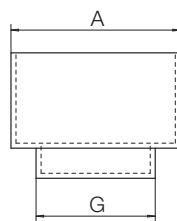
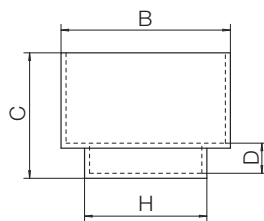
Potting Boxes

The boxes are made in gfr Polyamide PA66 of type p6g (RTI long-range temperature +125 °C) and CR-A3H2G6, black (RTI long-range temperature +110 °C).
Special materials and designs on request, dimensions in mm/*inch*.



The potting boxes can be used to your special requirements. In particular they are suitable for potting safety transformers of the EJ series to meet required creepage and clearance dimensions. Should you need more detailed information please ask for our catalogues. To process your order correctly please indicate type of potting box and order-code.

Type	Order-Code	A	B	C	D	E	F	G	H	I
EJ 30/Mc/29.0/p6g	04835-024	32.4	27.4	29.8	4.0	25.8	30.8	22.8	20.8	0.8
		1.276	1.079	1.173	0.157	1.016	1.213	0.898	0.819	0.031
EJ 38/Mc/29.8/p6g	05197-024	41.0	35.0	30.6	5.7	33.4	39.4	29.6	25.2	0.8
		1.614	1.378	1.205	0.224	1.315	1.551	1.165	0.992	0.031
EJ 38/Mc/31.5/p6g	05195-024	41.0	35.0	32.3	5.9	33.4	39.4	28.7	24.8	0.8
		1.614	1.378	1.272	0.232	1.315	1.551	1.130	0.976	0.031
EJ 42/Mc/31.5/p6g	05490-024	43.8	37.0	32.3	6.2	35.4	42.2	32.0	27.7	0.8
		1.724	1.457	1.272	0.244	1.394	1.661	1.260	1.091	0.031
EJ 42/Mc/32.5/p6g	05495-024	45.0	38.0	33.3	7.4	36.2	43.2	30.0	28.0	0.9
		1.772	1.496	1.311	0.291	1.425	1.701	1.181	1.102	0.035
EJ 48/Mc/37.0/p6g	05795-024	51.0	43.0	38.0	6.6	41.0	49.0	33.6	30.2	1.0
		2.008	1.693	1.496	0.260	1.614	1.929	1.323	1.189	0.039
EJ 54/Mc/38.2/CR-A3H2G6,sw	06195-134	56.0	47.0	38.8	7.0	45.4	54.4	37.4	33.4	0.8
		2.205	1.850	1.528	0.276	1.787	2.142	1.472	1.315	0.031



© 07/2016 by NORWE GmbH

Warranties:
refer to Terms and Conditions of Sale

NORWE GmbH

Postfach 13 56
51691 Bergneustadt
Paulstraße 5, Pernze
51702 Bergneustadt
Deutschland

Telefon +49 (0) 27 63-807-0
Telefax +49 (0) 27 63-807-77
E-mail verkauf@norwe.de
Internet www.norwe.de
www.norwe.eu

NORWE Inc.

P.O. Box 25 11
North Canton, OH 44720-0511
United States of America
Telefon +1-330 497-8113
Telefax +1-330 305-0592
E-mail usa@norwe.com
Internet www.norwe.com



Valid version of
data sheet online

QR Online-Version