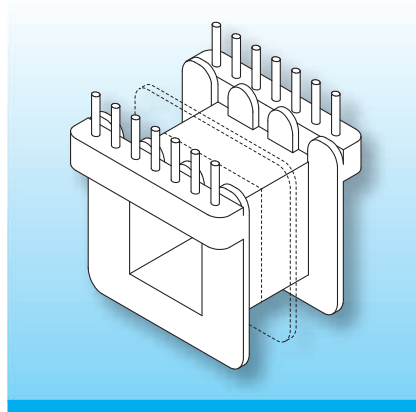


EI, UI Coilformers


The coilformers are made in Polyamide PA66 gr, UL 94 HB, temperature for longterm use at +130°C. The material used is tin bronze, tinned (solder-pins) or brass, tinned (solder-tags).

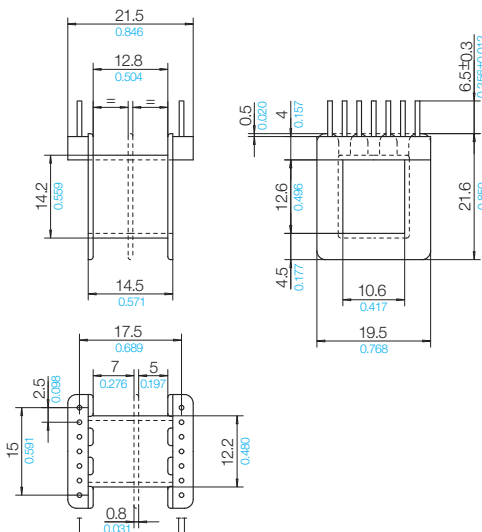
Maximum solder temperature 350°C, 2 sec. (Special materials and designs on request, dimensions in mm/inch.



Due to their designs with different connection systems (press-fit pins, bent over pins, soldertags, etc.) the coilformer-versions allow radial as well as axial binding on of the wires, matching your individual fields of application.

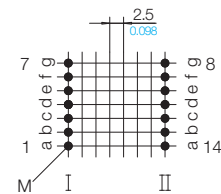
We are about to draw up a catalogue of this extensive series step by step – you will find the latest survey of available components on our homepage. For special designs and dimensions as well as available accessories please contact our technical specialists.

Type	Order-Code	Accessories
Coilformer: EJ 30-12/1k/1-8/2.5-gh/p6g	04660-024	Potting Box EJ 30/vlc
Coilformer: EJ 30-12/2k/1-8/2.5-gh/p6g	N0465-024 	
Coilformer: EJ 30-12/7-5k/1-8/2.5-gh/p6g	04665-024	
Solder-pin: z810/ua	73296-212	



Grid

View pin-side



© 12/2011 by NORWE GmbH

All dimensions in mm/inch

The permissible deviations according to DIN 16901 apply as tolerances

Warranties: refer to Terms and Conditions of Sale

NORWE GmbH

Postfach 13 56
51691 Bergneustadt
Paulstraße 5, Pernze
51702 Bergneustadt
Deutschland
Telefon +49 (0) 27 63-807-0
Telefax +49 (0) 27 63-807-77
E-mail verkauf@norwe.de
Internet www.norwe.de
www.norwe.eu

NORWE Inc.

P.O. Box 25 11
North Canton, OH 44720-0511
United States of America
Telefon +1-330 497-8113
Telefax +1-330 305-0592
E-mail usa@norwe.com
Internet www.norwe.com