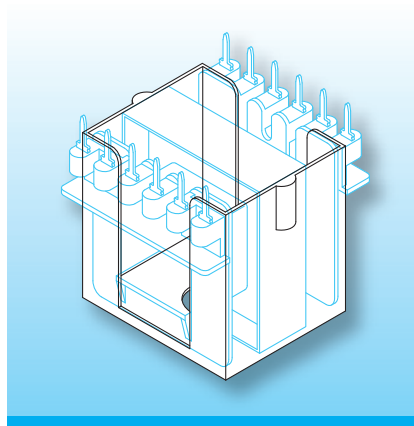


Housing (i) for M, EJ,UJ Coilformer elements

The components are made in gfr Polyamide PA66 of type p6g (RTI long-range temperature +125°C). Special materials – e.g. irradiated cross-linked – and designs on request, dimensions in mm/*inch*. The housings are sorted according to size and type. When using design **A**, a housing **i** is required to ensure the creepage and clearance distances between the windings and the core assembly and to fix in position the coilformer elements/frame.



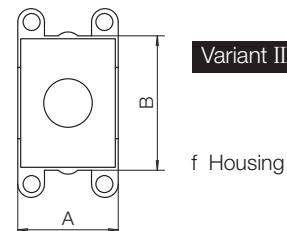
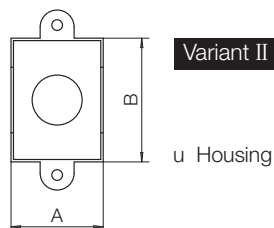
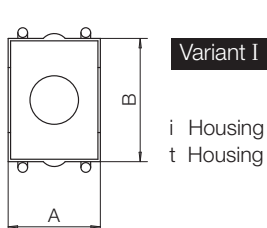
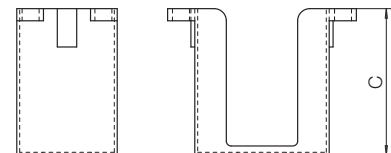
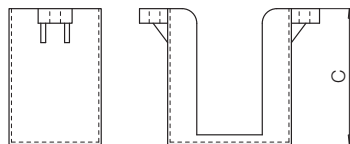
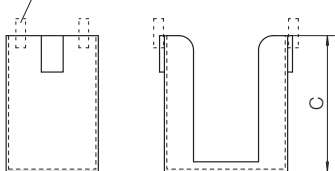
Alternative housing designs

t (thermal feet), **u** (two fixing straps) and **f** (four fixing straps) for later fixing in position of the complete transformer are available.

When ordering, please quote type and order-code.

Type	Order-Code	A	B	C	Variant
M 42/i/p6g	03091-024	28.3 / 1.114	29.7 / 1.169	34.3 / 1.350	I
M 42/t/p6g	03111-024	28.3 / 1.114	29.6 / 1.165	34.3 / 1.350	I
M 42-20/i/p6g	03469-024	28.5 / 1.122	29.6 / 1.165	39.2 / 1.543	I
M 55/i/p6g	03582-024	36.5 / 1.437	37.7 / 1.484	43.9 / 1.728	I
M 65/i/p6g	03712-024	42.1 / 1.657	44.4 / 1.748	54.0 / 2.126	I
M 74/i/p6g	03812-024	48.8 / 1.921	50.4 / 1.984	63.5 / 2.500	I
M 85a/i/p6g	03913-024	52.4 / 2.063	55.5 / 2.185	62.4 / 2.457	I
M 102a/i/p6g	04093-024	65.0 / 2.559	67.6 / 2.661	70.9 / 2.791	I

t = Thermal feet



© 07/2012 by NORWE GmbH

All dimensions in mm/inch

The permissible deviations according to DIN 16901 apply as tolerances

Warranties:
refer to Terms and Conditions of Sale



Valid version of
data sheet online

QR Online-Version

NORWE GmbH

Postfach 13 56
51691 Bergneustadt

Paulstraße 5, Pernze
51702 Bergneustadt

Deutschland

Telefon +49 (0) 27 63-807-0

Telefax +49 (0) 27 63-807-77

E-mail verkauf@norwe.de

Internet www.norwe.de
www.norwe.eu

NORWE Inc.

P.O. Box 25 11
North Canton, OH 44720-0511

United States of America

Telefon +1-330 497-8113

Telefax +1-330 305-0592

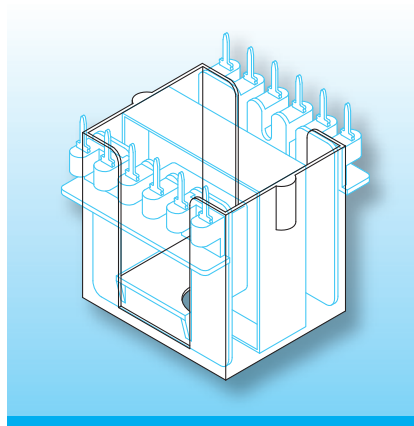
E-mail usa@norwe.com

Internet www.norwe.com

Housing (i) for M, EJ,UJ Coilformer elements

The components are made in gfr Polyamide PA66 of type p6g (RTI long-range temperature +125°C). Special materials – e.g. irradiated cross-linked – and designs on request, dimensions in mm/*inch*.

The housings are sorted according to size and type. When using design **A**, a housing **i** is required to ensure the creepage and clearance distances between the windings and the core assembly and to fix in position the coilformer elements/frame.

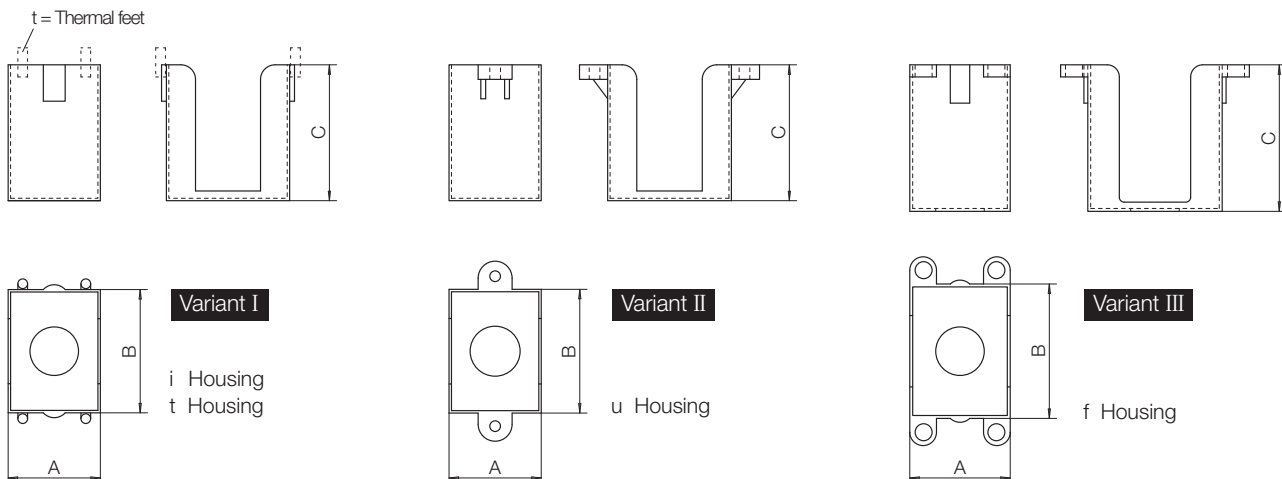


Alternative housing designs

t (thermal feet), **u** (two fixing straps) and **f** (four fixing straps) for later fixing in position of the complete transformer are available.

When ordering, please quote type and order-code.

Type	Order-Code	A	B	C	Variant
EJ 38/i/p6g	07522-024	19.0 / 0.748	25.4 / 1.000	27.9 / 1.098	I
EJ 38/u/p6g	07586-024	19.0 / 0.748	25.5 / 1.004	27.9 / 1.098	II
EJ 42/i/p6g	07612-024	20.6 / 0.811	27.7 / 1.091	30.1 / 1.185	I
EJ 42/f/p6g	07613-024	20.7 / 0.815	27.7 / 1.091	30.2 / 1.189	III
EJ 48/i/p6g	07712-024	23.7 / 0.933	31.6 / 1.244	34.3 / 1.350	I
EJ 54/i/p6g	07822-024	26.8 / 1.055	35.7 / 1.406	38.2 / 1.504	I
EJ 60/i/p6g	07912-024	29.4 / 1.157	39.8 / 1.567	43.1 / 1.697	I
EJ 66/i/p6g	08012-024	32.7 / 1.287	43.9 / 1.728	47.1 / 1.854	I
EJ 78/i/p6g	08112-024	38.6 / 1.520	51.7 / 2.035	56.2 / 2.213	I
EJ 84a/i/p6g	08212-024	41.0 / 1.614	55.3 / 2.177	60.4 / 2.378	I
EJ 96a/i/p6g	08412-024	47.2 / 1.858	62.4 / 2.457	69.9 / 2.752	I



© 07/2012 by NORWE GmbH

All dimensions in mm/inch

The permissible deviations according to DIN 16901 apply as tolerances

Warranties:
refer to Terms and Conditions of Sale



Valid version of
data sheet online

QR Online-Version

NORWE GmbH

Postfach 13 56
51691 Bergneustadt
Paulstraße 5, Pernze
51702 Bergneustadt

Deutschland

Telefon +49 (0) 27 63-807-0
Telefax +49 (0) 27 63-807-77
E-mail verkauf@norwe.de
Internet www.norwe.de
www.norwe.eu

NORWE Inc.

P.O. Box 25 11
North Canton, OH 44720-0511
United States of America

Telefon +1-330 497-8113
Telefax +1-330 305-0592
E-mail usa@norwe.com
Internet www.norwe.com