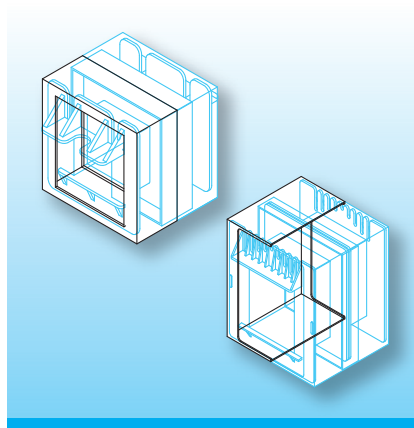


**Housing g for M, EJ, UJ
Coilformer Elements.
Housing c for M Coilformer
Elements.**

The components are made in gfr Polyamide PA66 of type p6g (RTI long-range temperature +130°C). Special materials – e.g. irradiated cross-linked – and designs on request, dimensions in mm/*inch*.

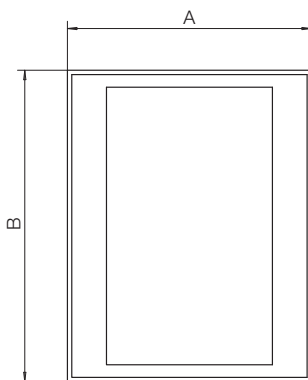
The housings are sorted according to size and type.



When using design **C**, two housing elements **g** or two housing elements **c** are required to ensure the creepage and clearance distances between the windings and the core laminations.

When ordering, please quote type and order-code.

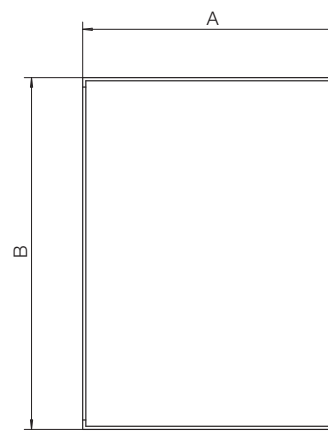
Type	Order-Code		A	B	C	Variant
M 42/g/p6g	03021-024		29.5 / 1.161	34.7 / 1.366	14.3 / 0.563	I
M 55/g/p6g	N0413-024	on request	37.3 / 1.469	44.7 / 1.760	18.1 / 0.713	I
M 65/g/p6g	03703-024		44.3 / 1.744	54.5 / 2.145	21.2 / 0.835	I
M 74/g/p6g	03803-024		50.3 / 1.980	64.3 / 2.531	24.3 / 0.957	I
M 85a/g/p6g	03903-024		54.8 / 2.157	63.0 / 2.480	26.1 / 1.028	I
M 85b/g/p6g	04003-024		54.9 / 2.161	76.1 / 2.996	26.1 / 1.028	I
M 102a/g/p6g	04103-024		66.8 / 2.630	89.7 / 3.531	32.5 / 1.280	I
M 102b/c/p6g	04123-024		65.3 / 2.571	89.5 / 3.524	33.3 / 1.311	II



Variant I



g Housing



Variant II



c Housing

© 10/2013 by NORWE GmbH

All dimensions in mm/*inch*

The permissible deviations according to DIN 16901 apply as tolerances

Warranties:
refer to Terms and Conditions of Sale



Valid version of
data sheet online

QR Online-Version

NORWE GmbH

Postfach 13 56
51691 Bergneustadt
Paulstraße 5, Pernze
51702 Bergneustadt
Deutschland
Telefon +49 (0) 27 63-807-0
Telefax +49 (0) 27 63-807-77
E-mail verkauf@norwe.de
Internet www.norwe.de
www.norwe.eu

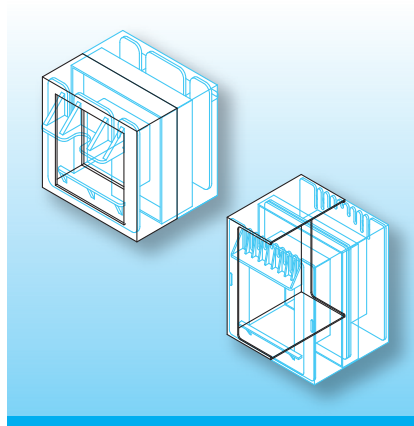
NORWE Inc.

P.O. Box 25 11
North Canton, OH 44720-0511
United States of America
Telefon +1-330 497-8113
Telefax +1-330 305-0592
E-mail usa@norwe.com
Internet www.norwe.com

**Housing g for M, EJ, UJ
Coilformer Elements.
Housing c for M Coilformer
Elements.**

The components are made in gfr Polyamide PA66 of type p6g (RTI long-range temperature +130°C). Special materials – e.g. irradiated cross-linked – and designs on request, dimensions in mm/*inch*.

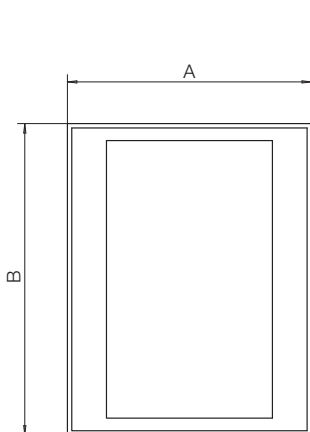
The housings are sorted according to size and type.



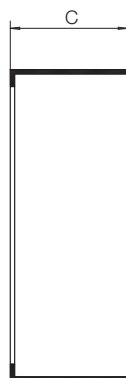
When using design **C**, two housing elements **g** or two housing elements **c** are required to ensure the creepage and clearance distances between the windings and the core laminations.

When ordering, please quote type and order-code.

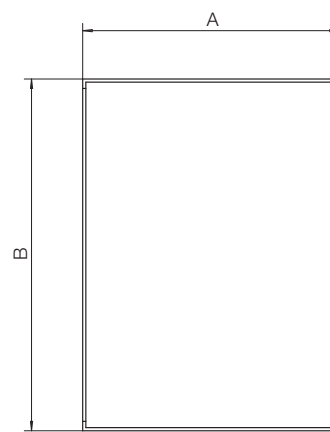
Type	Order-Code	A	B	C	Variant
EJ 42/g/p6g	07603-024	27.6 / 1.087	30.5 / 1.201	10.3 / 0.406	I
EJ 48/g/p6g	07703-024	31.5 / 1.240	34.3 / 1.350	12.0 / 0.472	I
EJ 54/g/p6g	07803-024	35.4 / 1.394	38.5 / 1.516	13.3 / 0.524	I
EJ 60/g/p6g	07903-024	39.5 / 1.555	43.5 / 1.713	14.5 / 0.571	I
EJ 66/g/p6g	08003-024	43.9 / 1.728	47.8 / 1.882	16.2 / 0.638	I
EJ 78/g/p6g	08103-024	51.7 / 2.035	56.8 / 2.236	19.2 / 0.756	I
EJ 84a/g/p6g	08203-024	55.0 / 2.165	61.2 / 2.409	20.5 / 0.807	I
EJ 84b/g/p6g	08303-024	55.4 / 2.181	75.3 / 2.965	20.6 / 0.811	I
EJ 96a/g/p6g	08403-024	62.3 / 2.453	70.5 / 2.776	23.6 / 0.929	I
EJ 96b/g/p6g	08503-024	62.5 / 2.461	80.7 / 3.177	23.7 / 0.933	I
2UJ 48b/g/p6g	09293-024	31.8 / 1.252	47.5 / 1.870	23.7 / 0.933	I



Variant I



g Housing



Variant II



c Housing

© 10/2013 by NORWE GmbH

All dimensions in mm/*inch*

The permissible deviations according to DIN 16901 apply as tolerances

Warranties:
refer to Terms and Conditions of Sale



Valid version of
data sheet online

QR Online-Version

NORWE GmbH

Postfach 13 56
51691 Bergneustadt
Paulstraße 5, Pernze
51702 Bergneustadt

Deutschland

Telefon +49 (0) 27 63-807-0
Telefax +49 (0) 27 63-807-77
E-mail verkauf@norwe.de
Internet www.norwe.de
www.norwe.eu

NORWE Inc.

P.O. Box 25 11
North Canton, OH 44720-0511
United States of America

Telefon +1-330 497-8113
Telefax +1-330 305-0592
E-mail usa@norwe.com
Internet www.norwe.com