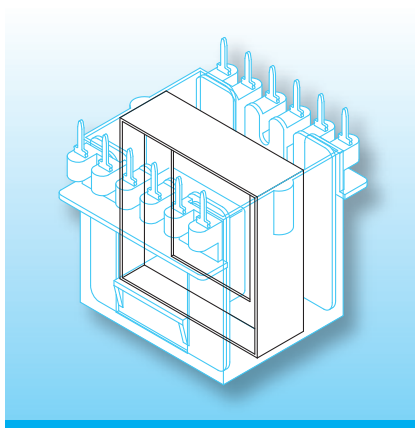


## Frame (r) for M, EJ,UJ Coilformer elements

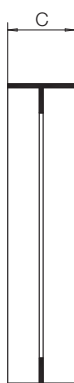
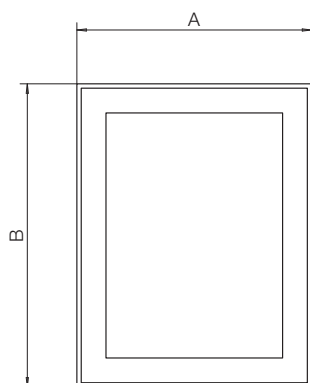
The components are made in gfr Polyamide PA66 of type p6g (RTI long-range temperature +125°C). Special materials – e.g. irradiated cross-linked – and designs on request, dimensions in mm/inch.



The frames are sorted according to size and type. When using design **A** or **C**, a frame **r** is required to ensure the creepage and clearance distances between the primary and the secondary winding.

When ordering, please quote type and order-code.

Type	Order-Code	A	B	C
M 42/r/p6g	03002-024	28.4 / 1.118	33.3 / 1.311	11.0 / 0.433
M 42-20/r/p6g	03468-024	28.2 / 1.110	38.1 / 1.500	10.0 / 0.394
M 55/r/p6g	03502-024	36.1 / 1.421	43.3 / 1.705	10.0 / 0.394
M 65/r/p6g	03702-024	42.9 / 1.689	52.8 / 2.079	14.0 / 0.551
M 74/r/p6g	03802-024	48.5 / 1.909	62.5 / 2.461	13.9 / 0.547
M 85a/r/p6g	03902-024	52.7 / 2.075	61.1 / 2.406	14.0 / 0.551
M 85b/r/p6g	04002-024	53.3 / 2.098	74.5 / 2.933	14.0 / 0.551
M 102a/r/p6g	04092-024	64.6 / 2.543	69.7 / 2.744	14.2 / 0.559
M 102b/14r/p6g	04102-024	64.6 / 2.543	87.7 / 3.453	14.0 / 0.551



### © 07/2012 by NORWE GmbH

All dimensions in mm/inch

The permissible deviations according to DIN 16901 apply as tolerances

Warranties:  
refer to Terms and Conditions of Sale



Valid version of  
data sheet online

QR Online-Version

### NORWE GmbH

Postfach 13 56  
51691 Bergneustadt  
Paulstraße 5, Pernze  
51702 Bergneustadt

Deutschland

Telefon +49 (0) 27 63-807-0  
Telefax +49 (0) 27 63-807-77  
E-mail verkauf@norwe.de  
Internet www.norwe.de  
www.norwe.eu

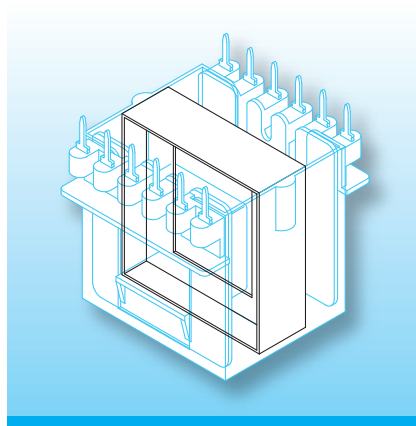
### NORWE Inc.

P.O. Box 25 11  
North Canton, OH 44720-0511  
United States of America

Telefon +1-330 497-8113  
Telefax +1-330 305-0592  
E-mail usa@norwe.com  
Internet www.norwe.com

## Frame (r) for M, EJ,UJ Coilformer elements

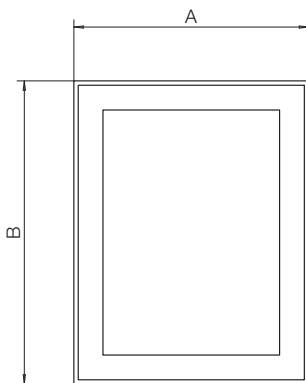
The components are made in grf Polyamide PA66 of type p6g (RTI long-range temperature +125°C). Special materials – e.g. irradiated cross-linked – and designs on request, dimensions in mm/*inch*.



The frames are sorted according to size and type. When using design **A** or **C**, a frame **r** is required to ensure the creepage and clearance distances between the primary and the secondary winding.

When ordering, please quote type and order-code.

Type	Order-Code	A	B	C
EJ 38/r/p6g	07502-024	24.4 / 0.961	26.9 / 1.059	9.0 / 0.354
EJ 42/r/p6g	07602-024	26.5 / 1.043	29.5 / 1.161	10.0 / 0.394
EJ 48/r/p6g	07702-024	30.1 / 1.185	33.2 / 1.307	10.2 / 0.402
EJ 54/r/p6g	07802-024	34.0 / 1.339	37.4 / 1.472	10.2 / 0.402
EJ 60/r/p6g	07902-024	38.4 / 1.512	42.3 / 1.665	10.2 / 0.402
EJ 66/r/p6g	08002-024	42.2 / 1.661	46.1 / 1.815	9.7 / 0.382
EJ 78/r/p6g	08102-024	50.2 / 1.976	55.3 / 2.177	12.0 / 0.472
EJ 84a/r/p6g	08202-024	53.6 / 2.110	59.6 / 2.346	14.0 / 0.551
EJ 84b/r/p6g	08302-024	53.7 / 2.114	73.5 / 2.894	14.2 / 0.559
EJ 96a/r/p6g	08402-024	60.7 / 2.390	68.7 / 2.705	14.0 / 0.551
EJ 96b/r/p6g	08502-024	60.7 / 2.390	78.8 / 3.102	14.0 / 0.551
2UJ 48b/r/p6g	09292-024	30.9 / 1.217	46.3 / 1.823	12.0 / 0.472



### © 07/2012 by NORWE GmbH

All dimensions in mm/inch

The permissible deviations according to DIN 16901 apply as tolerances

Warranties:  
refer to Terms and Conditions of Sale



Valid version of  
data sheet online

QR Online-Version

### NORWE GmbH

Postfach 13 56  
51691 Bergneustadt  
Paulstraße 5, Pernze  
51702 Bergneustadt

Deutschland

Telefon +49 (0) 27 63-807-0  
Telefax +49 (0) 27 63-807-77  
E-mail verkauf@norwe.de  
Internet www.norwe.de  
www.norwe.eu

### NORWE Inc.

P.O. Box 25 11  
North Canton, OH 44720-0511  
United States of America

Telefon +1-330 497-8113  
Telefax +1-330 305-0592  
E-mail usa@norwe.com  
Internet www.norwe.com