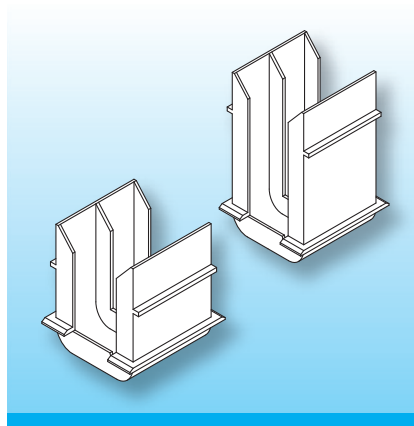


Shrouds for UNI EE Coilformers

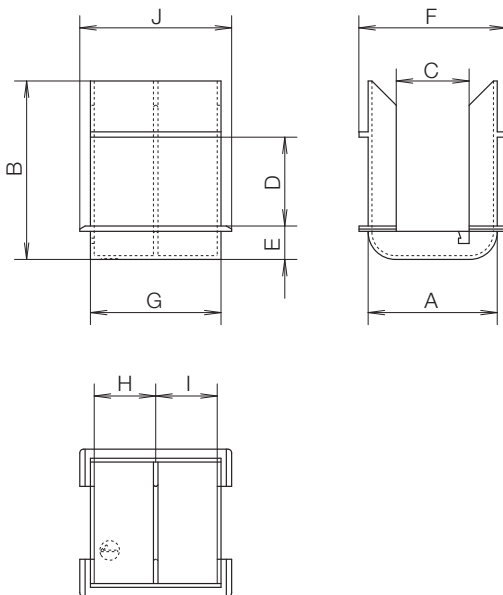
The shrouds are made in gfr Polyamide PA66 of type p6g (RTI long-range temperature +125°C). Special materials – e.g. irradiated cross-linked – and designs on request, dimensions in mm/inch. The shrouds are easily fitted and latch into the coilformer, giving a cost-effective method of safety insulation.



The reinforcement ribs on the shrouds act as a guide when laminating and also secure the top and bottom sets of laminations.

When ordering please quote type and order-code.

Type	Order-Code	A	B	C	D	E	F	G	H	I	J
EE 25-8/2v/p6g	22115-024	17.0	19.8	9.6	8.0	4.4	19.4	17.2	8.1	8.1	20.0
EE 25-11/2v/p6g	22135-024	17.0	23.5	9.6	11.7	4.4	19.4	17.2	8.1	8.1	20.0
		0.669	0.780	0.378	0.315	0.173	0.764	0.677	0.319	0.319	0.787
		0.669	0.925	0.378	0.461	0.173	0.764	0.677	0.319	0.319	0.787



© 07/2012 by NORWE GmbH

All dimensions in mm/inch

The permissible deviations according to DIN 16901 apply as tolerances

Warranties:
refer to Terms and Conditions of Sale



Valid version of
data sheet online

QR Online-Version

NORWE GmbH

Postfach 13 56
51691 Bergneustadt
Paulstraße 5, Pernze
51702 Bergneustadt

Deutschland

Telefon +49 (0) 27 63-807-0
Telefax +49 (0) 27 63-807-77
E-mail verkauf@norwe.de
Internet www.norwe.de
www.norwe.eu

NORWE Inc.

P.O. Box 25 11
North Canton, OH 44720-0511
United States of America

Telefon +1-330 497-8113
Telefax +1-330 305-0592
E-mail usa@norwe.com
Internet www.norwe.com