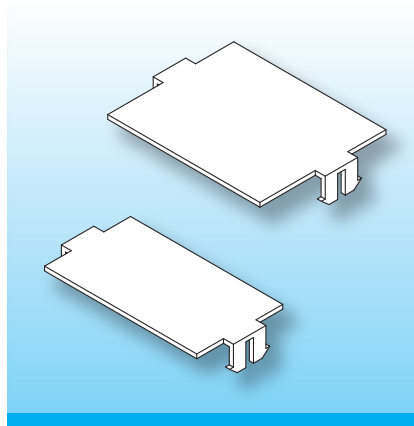


Insulating Bridges

The insulating bridges are made in gfr Polyamide PA66 of type p6g (RTI long-range temperature +125° C).

For supplementary information, e.g. UL-File-No. Special materials – e.g. irradiated cross-linked – and designs on request, dimensions in mm/[inch](#).

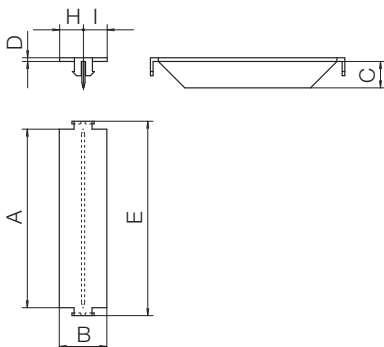


Double section coilformers which have a compartment for a plug-in thermofuse require a bottom insulating bridge to achieve 11 mm/ [0.433 inch](#) clearance- and creepage dimensions between primary and secondary windings. The insulating bridge latches into the main shroud and can then not be removed.

When ordering please quote type and order-code.

Type I	Order-Code	A	B	C	D	E	H	I
EJ 30/a/p6g	20019-024	18.4 0.724	9.0 0.354	3.2 0.126	0.5 0.020	20.8 0.819	4.5 0.177	4.5 0.177
EJ 38/a/p6g	20119-024	24.0 0.945	9.0 0.354	4.5 0.177	0.5 0.020	26.4 1.039	4.5 0.177	4.5 0.177
EJ 42/a/p6g	20219-024	26.2 1.031	9.0 0.354	5.0 0.197	0.6 0.024	28.6 1.126	4.5 0.177	4.5 0.177
EJ 48/a/p6g	20319-024	30.0 1.181	9.0 0.354	5.0 0.197	0.7 0.028	32.8 1.291	4.5 0.177	4.5 0.177
EJ 54/a/p6g	20419-024	33.8 1.331	9.0 0.354	5.0 0.197	0.8 0.031	36.8 1.449	4.5 0.177	4.5 0.177
EJ 60/a/p6g	20519-024	37.8 1.488	9.0 0.354	5.0 0.197	0.8 0.031	40.8 1.606	4.5 0.177	4.5 0.177
EJ 66/a/p6g	N0264-024	on request 42.0 1.654	9.0 0.354	5.0 0.197	0.8 0.031	45.0 1.772	4.5 0.177	4.5 0.177

Type I



© 07/2012 by NORWE GmbH

All dimensions in mm/inch

The permissible deviations according to DIN 16901 apply as tolerances

Warranties:
refer to Terms and Conditions of Sale



Valid version of
data sheet online

QR Online-Version

NORWE GmbH

Postfach 13 56
51691 Bergneustadt
Paulstraße 5, Pernze
51702 Bergneustadt

Deutschland

Telefon +49 (0) 27 63-807-0
Telefax +49 (0) 27 63-807-77
E-mail verkauf@norwe.de
Internet www.norwe.de
www.norwe.eu

NORWE Inc.

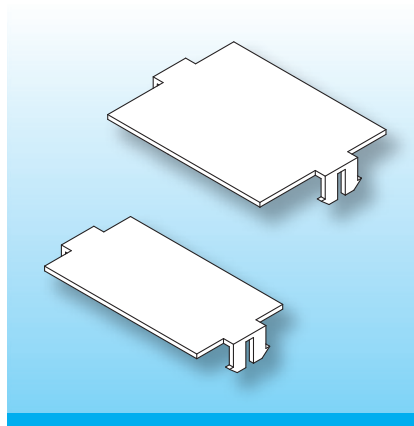
P.O. Box 25 11
North Canton, OH 44720-0511
United States of America

Telefon +1-330 497-8113
Telefax +1-330 305-0592
E-mail usa@norwe.com
Internet www.norwe.com

Insulating Bridges

The insulating bridges are made in gfr Polyamide PA66 of type p6g (RTI long-range temperature +125° C).

For supplementary information, e.g. UL-File-No. Special materials – e.g. irradiated cross-linked – and designs on request, dimensions in mm/[inch](#).



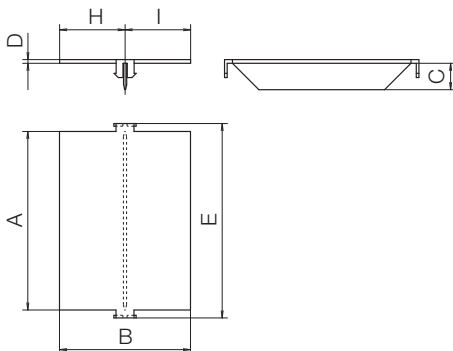
Double section coilformers which have a compartment for a plug-in thermofuse require a bottom insulating bridge to achieve 11 mm/ [0.433 inch](#) clearance- and creepage dimensions between primary and secondary windings. The insulating bridge latches into the main shroud and can then not be removed.

When ordering please quote type and order-code.

Type II	Order-Code	A	B	C	D	E	H	I
EJ 30/6-4b/p6g	20059-024	18.4 0.724	13.2 0.520	3.2 0.126	0.5 0.020	20.8 0.819	7.5 0.295	5.7 0.224
EJ 38/9-6b/p6g	20159-024	24.0 0.945	17.8 0.701	4.5 0.177	0.5 0.020	26.4 1.039	10.4 0.409	7.4 0.291
EJ 42/9-7b/p6g	20259-024	26.2 1.031	19.2 0.756	5.0 0.197	0.6 0.024	28.6 1.126	10.5 0.413	8.7 0.343
EJ 48/10-9b/p6g	20359-024	30.0 1.181	22.0 0.866	5.0 0.197	0.7 0.028	32.8 1.291	11.5 0.453	10.5 0.413
EJ 54/b/p6g	20439-024	33.8 1.331	24.8 0.976	5.0 0.197	0.8 0.031	36.8 1.449	12.4 0.488	12.4 0.488
EJ 60/b/p6g	20539-024	37.8 1.488	27.8 1.094	5.0 0.197	0.8 0.031	40.8 1.606	13.9 0.547	13.9 0.547
EJ 66/b/p6g	N0265-024	42.0 1.654	29.3 1.154	5.0 0.197	0.8 0.031	45.0 1.772	14.65 0.577	14.65 0.577

on request

Type II



© 07/2012 by NORWE GmbH

All dimensions in mm/inch

The permissible deviations according to DIN 16901 apply as tolerances

Warranties:
refer to Terms and Conditions of Sale



Valid version of
data sheet online

QR Online-Version

NORWE GmbH

Postfach 13 56
51691 Bergneustadt
Paulstraße 5, Pernze
51702 Bergneustadt

Deutschland

Telefon +49 (0) 27 63-807-0
Telefax +49 (0) 27 63-807-77
E-mail verkauf@norwe.de
Internet www.norwe.de
www.norwe.eu

NORWE Inc.

P.O. Box 25 11
North Canton, OH 44720-0511
United States of America

Telefon +1-330 497-8113
Telefax +1-330 305-0592
E-mail usa@norwe.com
Internet www.norwe.com