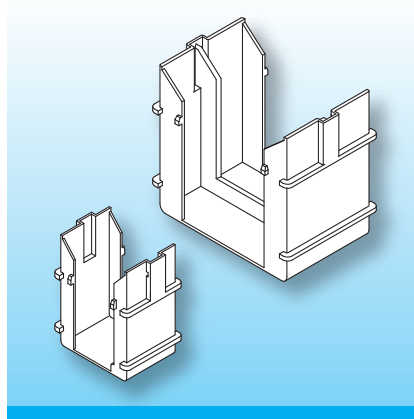


Shrouds for UNI EJ Coilformers

The shrouds are made in gfr Polyamide PA66 of type p6g (RTI long-range temperature +125°C). Special materials – e.g. irradiated cross-linked – and designs on request, dimensions in mm/inch. The shrouds are easily fitted and latch into the coilformer, giving a cost-effective method of safety insulation.

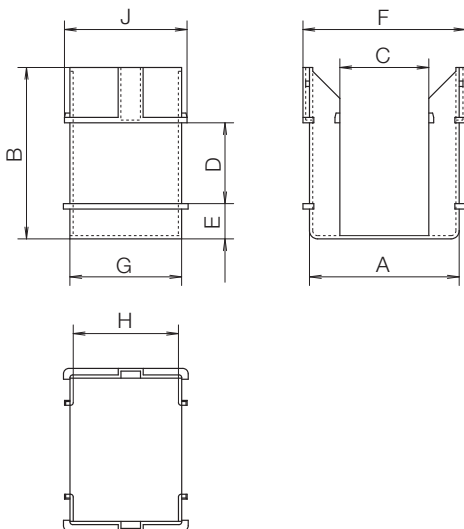


The reinforcement ribs on the shrouds act as a guide when laminating and also secure the top and bottom sets of laminations. Please note that double section UNI EJ coilformers with a compartment for a thermofuse require an additional insulating bridge to achieve safety insulation.

When ordering please quote type and order-code.

Type I	Order-Code	A	B	C	D	E	F	G	H	I	J
EJ 30-5/1v/p6g	20017-024	19.6	19.0	12.1	5.3	4.4	22.0	14.4	13.4	–	16.8
EJ 30-10/1v/p6g	20037-024	19.6	24.5	12.1	10.8	4.4	22.0	14.4	13.4	–	16.8
EJ 30-12/1v/p6g	20057-024	19.6	26.5	12.1	12.8	4.4	22.0	14.4	13.4	–	16.8
EJ 30-15/1v/p6g	20077-024	19.6	29.5	12.1	15.8	4.4	22.0	14.4	13.4	–	16.8
EJ 30-18/1v/p6g	20097-024	19.6	32.0	12.1	18.3	4.4	22.0	14.4	13.4	–	16.8
EJ 38-7/1v/p6g	20117-024	25.2	23.0	15.2	7.7	5.9	27.6	19.0	18.0	–	21.4

Type I



© 07/2012 by NORWE GmbH

All dimensions in mm/inch

The permissible deviations according to DIN 16901 apply as tolerances

Warranties: refer to Terms and Conditions of Sale



Valid version of data sheet online

QR Online-Version

NORWE GmbH

Postfach 13 56
51691 Bergneustadt
Paulstraße 5, Pernze
51702 Bergneustadt

Deutschland

Telefon +49 (0) 27 63-807-0
Telefax +49 (0) 27 63-807-77
E-mail verkauf@norwe.de
Internet www.norwe.de
www.norwe.eu

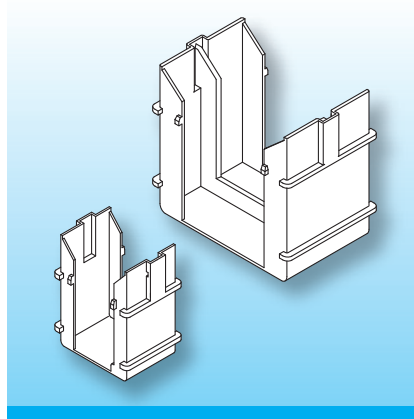
NORWE Inc.

P.O. Box 25 11
North Canton, OH 44720-0511
United States of America

Telefon +1-330 497-8113
Telefax +1-330 305-0592
E-mail usa@norwe.com
Internet www.norwe.com

Shrouds for UNI EJ Coilformers

The shrouds are made in gfr Polyamide PA66 of type p6g (RTI long-range temperature +125°C). Special materials – e.g. irradiated cross-linked – and designs on request, dimensions in mm/inch. The shrouds are easily fitted and latch into the coilformer, giving a cost-effective method of safety insulation.

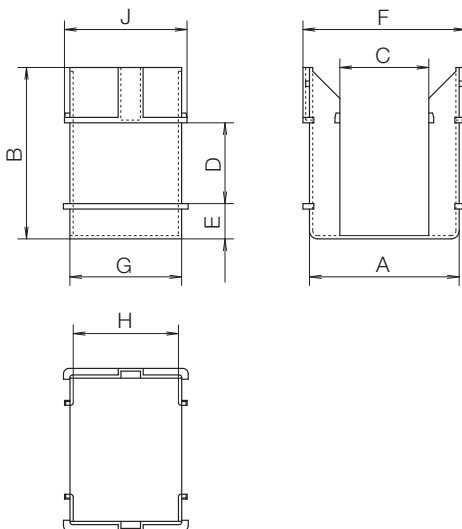


The reinforcement ribs on the shrouds act as a guide when laminating and also secure the top and bottom sets of laminations. Please note that double section UNI EJ coilformers with a compartment for a thermofuse require an additional insulating bridge to achieve safety insulation.

When ordering please quote type and order-code.

Type I	Order-Code	A	B	C	D	E	F	G	H	I	J
EJ 38-13/1v/p6g	20137-024	25.2	29.1	15.2	13.8	5.9	27.6	19.0	18.0	–	21.4
EJ 38-16/1v/p6g	20157-024	25.2	31.8	15.2	16.5	5.9	27.6	19.0	18.0	–	21.4
EJ 42-8/1v/p6g	20217-024	27.6	25.3	16.4	8.7	6.5	30.0	20.6	19.4	–	23.0
EJ 42-14/1v/p6g	20237-024	27.6	31.6	16.4	15.0	6.5	30.0	20.6	19.4	–	23.0
EJ 48-16/1v/p6g	20317-024	31.6	35.8	20.2	17.0	7.5	34.0	23.6	22.2	–	26.0
EJ 48-20/1v/p6g	20337-024	31.6	39.5	20.2	20.7	7.5	34.0	23.6	22.2	–	26.0

Type I



© 07/2012 by NORWE GmbH

All dimensions in mm/inch

The permissible deviations according to DIN 16901 apply as tolerances

Warranties: refer to Terms and Conditions of Sale



Valid version of data sheet online

QR Online-Version

NORWE GmbH

Postfach 13 56
51691 Bergneustadt
Paulstraße 5, Pernze
51702 Bergneustadt

Deutschland

Telefon +49 (0) 27 63-807-0
Telefax +49 (0) 27 63-807-77
E-mail verkauf@norwe.de
Internet www.norwe.de
www.norwe.eu

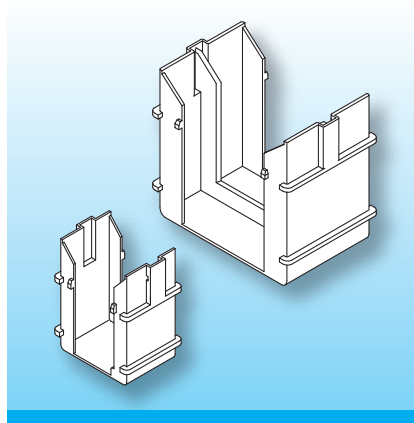
NORWE Inc.

P.O. Box 25 11
North Canton, OH 44720-0511
United States of America

Telefon +1-330 497-8113
Telefax +1-330 305-0592
E-mail usa@norwe.com
Internet www.norwe.com

Shrouds for UNI EJ Coilformers

The shrouds are made in gfr Polyamide PA66 of type p6g (RTI long-range temperature +125°C). Special materials – e.g. irradiated cross-linked – and designs on request, dimensions in mm/inch. The shrouds are easily fitted and latch into the coilformer, giving a cost-effective method of safety insulation.



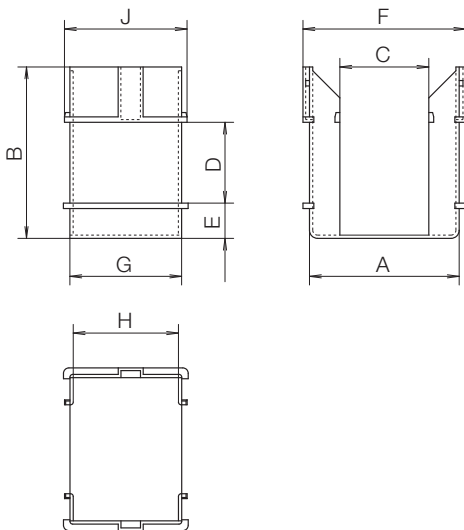
The reinforcement ribs on the shrouds act as a guide when laminating and also secure the top and bottom sets of laminations. Please note that double section UNI EJ coilformers with a compartment for a thermofuse require an additional insulating bridge to achieve safety insulation.

When ordering please quote type and order-code.

Type I	Order-Code	A	B	C	D	E	F	G	H	I	J
EJ 54-18/1v/p6g	20417-024	35.6	40.0	24.0	19.0	8.5	38.0	26.6	25.0	–	29.0
EJ 60-21/1v/p6g	20517-024	39.6	44.3	28.0	21.2	9.5	42.0	29.6	28.0	–	32.0
EJ 60-25/1v/p6g	20537-024	39.6	48.8	28.0	25.7	9.5	42.0	29.6	28.0	–	32.0
EJ 60-30/1v/p6g	20557-024	39.6	53.8	28.0	30.7	9.5	42.0	29.6	28.0	–	32.0
EJ 66-23/1v/p6g	N0263-024	43.8	47.8	32.2	23.2	10.3	46.2	31.1	29.5	–	33.5
		1.724	1.882	1.268	0.913	0.406	1.819	1.224	1.161		1.319

on request

Type I



© 07/2012 by NORWE GmbH

All dimensions in mm/inch

The permissible deviations according to DIN 16901 apply as tolerances

Warranties: refer to Terms and Conditions of Sale



Valid version of data sheet online

QR Online-Version

NORWE GmbH

Postfach 13 56
51691 Bergneustadt
Paulstraße 5, Pernze
51702 Bergneustadt

Deutschland

Telefon +49 (0) 27 63-807-0
Telefax +49 (0) 27 63-807-77
E-mail verkauf@norwe.de
Internet www.norwe.de
www.norwe.eu

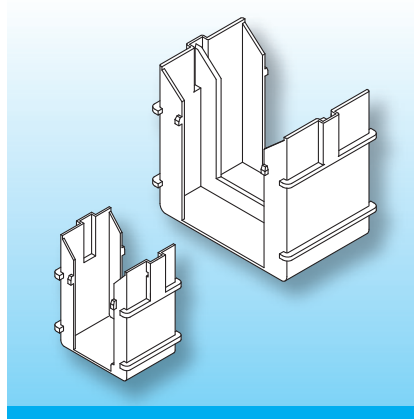
NORWE Inc.

P.O. Box 25 11
North Canton, OH 44720-0511
United States of America

Telefon +1-330 497-8113
Telefax +1-330 305-0592
E-mail usa@norwe.com
Internet www.norwe.com

Shrouds for UNI EJ Coilformers

The shrouds are made in gfr Polyamide PA66 of type p6g (RTI long-range temperature +125°C). Special materials – e.g. irradiated cross-linked – and designs on request, dimensions in mm/inch. The shrouds are easily fitted and latch into the coilformer, giving a cost-effective method of safety insulation.

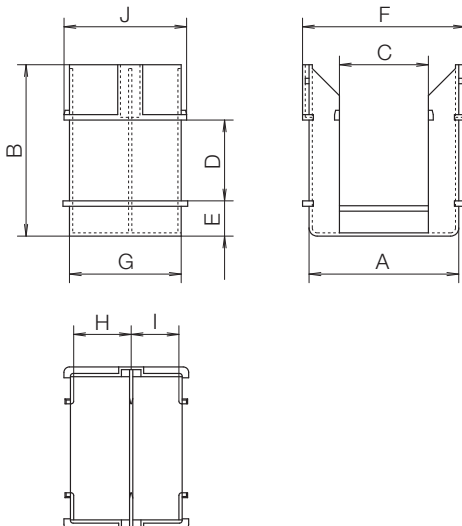


The reinforcement ribs on the shrouds act as a guide when laminating and also secure the top and bottom sets of laminations. Please note that double section UNI EJ coilformers with a compartment for a thermofuse require an additional insulating bridge to achieve safety insulation.

When ordering please quote type and order-code.

Type II	Order-Code	A	B	C	D	E	F	G	H	I	J
EJ 30-5/6-4v/p6g	20015-024	19.6	19.0	12.1	5.3	4.4	22.0	14.4	7.6	5.8	16.8
EJ 30-10/6-4v/p6g	20035-024	19.6	24.5	12.1	10.8	4.4	22.0	14.4	7.6	5.8	16.8
EJ 30-12/6-4v/p6g	20055-024	19.6	26.5	12.1	12.8	4.4	22.0	14.4	7.6	5.8	16.8
EJ 30-12N/6-4v/p6g	21055-024	19.6	24.5	12.1	23.2	4.4	22.0	14.4	7.6	5.8	16.8
EJ 30-15/6-4v/p6g	20075-024	19.6	29.5	12.1	15.8	4.4	22.0	14.4	7.6	5.8	16.8
EJ 30-18/6-4v/p6g	20095-024	19.6	32.0	12.1	18.3	4.4	22.0	14.4	7.6	5.8	16.8

Type II



© 07/2012 by NORWE GmbH

All dimensions in mm/inch

The permissible deviations according to DIN 16901 apply as tolerances

Warranties:
refer to Terms and Conditions of Sale



Valid version of data sheet online

QR Online-Version

NORWE GmbH

Postfach 13 56
51691 Bergneustadt
Paulstraße 5, Pernze
51702 Bergneustadt

Deutschland

Telefon +49 (0) 27 63-807-0
Telefax +49 (0) 27 63-807-77
E-mail verkauf@norwe.de
Internet www.norwe.de
www.norwe.eu

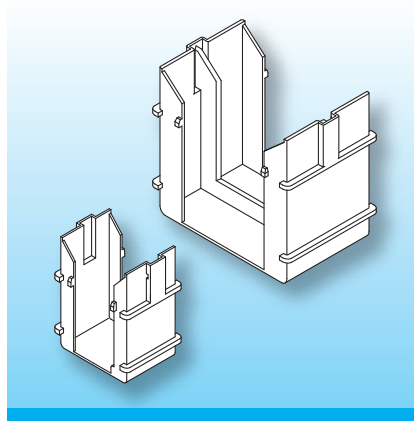
NORWE Inc.

P.O. Box 25 11
North Canton, OH 44720-0511
United States of America

Telefon +1-330 497-8113
Telefax +1-330 305-0592
E-mail usa@norwe.com
Internet www.norwe.com

Shrouds for UNI EJ Coilformers

The shrouds are made in gfr Polyamide PA66 of type p6g (RTI long-range temperature +125°C). Special materials – e.g. irradiated cross-linked – and designs on request, dimensions in mm/inch. The shrouds are easily fitted and latch into the coilformer, giving a cost-effective method of safety insulation.

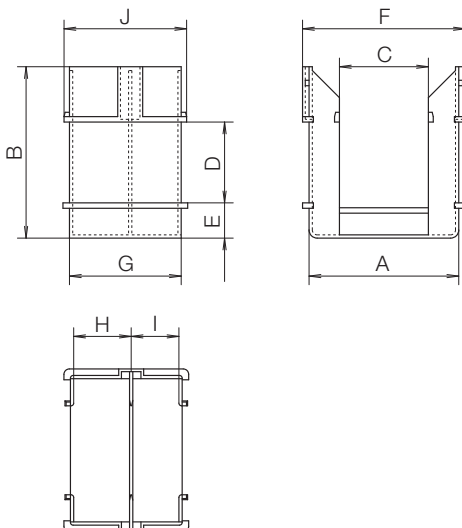


The reinforcement ribs on the shrouds act as a guide when laminating and also secure the top and bottom sets of laminations. Please note that double section UNI EJ coilformers with a compartment for a thermofuse require an additional insulating bridge to achieve safety insulation.

When ordering please quote type and order-code.

Type II	Order-Code	A	B	C	D	E	F	G	H	I	J
EJ 38-7/9-6v/p6g	20115-024	25.2	23.0	15.2	7.7	5.9	27.6	19.0	10.5	7.5	21.4
EJ 38-13/9-6v/p6g	20135-024	25.2	29.1	15.2	13.8	5.9	27.6	19.0	10.5	7.5	21.4
EJ 38-16/9-6v/p6g	20155-024	25.2	31.8	15.2	16.5	5.9	27.6	19.0	10.5	7.5	21.4
EJ 42-8/9-7v/p6g	20215-024	27.6	25.3	16.4	8.7	6.5	30.0	20.6	10.6	8.8	23.0
EJ 42-14/9-7v/p6g	20235-024	27.6	31.6	16.4	15.0	6.5	30.0	20.6	10.6	8.8	23.0
EJ 48-16/10-9v/p6g	20315-024	31.6	35.8	20.2	17.0	7.5	34.0	23.6	11.6	10.6	26.0

Type II



© 07/2012 by NORWE GmbH

All dimensions in mm/inch

The permissible deviations according to DIN 16901 apply as tolerances

Warranties: refer to Terms and Conditions of Sale



Valid version of data sheet online

QR Online-Version

NORWE GmbH

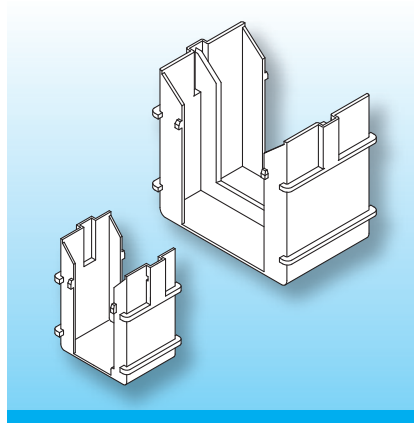
Postfach 13 56
51691 Bergneustadt
Paulstraße 5, Pernze
51702 Bergneustadt
Deutschland
Telefon +49 (0) 27 63-807-0
Telefax +49 (0) 27 63-807-77
E-mail verkauf@norwe.de
Internet www.norwe.de
www.norwe.eu

NORWE Inc.

P.O. Box 25 11
North Canton, OH 44720-0511
United States of America
Telefon +1-330 497-8113
Telefax +1-330 305-0592
E-mail usa@norwe.com
Internet www.norwe.com

Shrouds for UNI EJ Coilformers

The shrouds are made in gfr Polyamide PA66 of type p6g (RTI long-range temperature +125°C). Special materials – e.g. irradiated cross-linked – and designs on request, dimensions in mm/inch. The shrouds are easily fitted and latch into the coilformer, giving a cost-effective method of safety insulation.

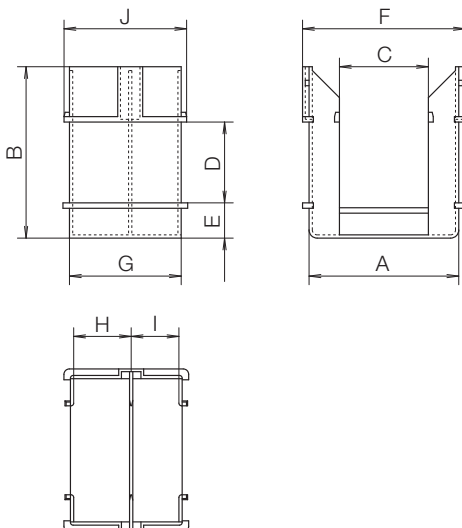


The reinforcement ribs on the shrouds act as a guide when laminating and also secure the top and bottom sets of laminations. Please note that double section UNI EJ coilformers with a compartment for a thermofuse require an additional insulating bridge to achieve safety insulation.

When ordering please quote type and order-code.

Type II	Order-Code	A	B	C	D	E	F	G	H	I	J
EJ 48-20/10-9v/p6g	20335-024	31.6	39.5	20.2	20.7	7.5	34.0	23.6	11.6	10.6	26.0
EJ 54-18/2v/p6g	20416-024	1.244	1.555	0.795	0.815	0.295	1.339	0.929	0.457	0.417	1.024
EJ 60-21/2v/p6g	20516-024	1.402	1.575	0.945	0.748	0.335	1.496	1.047	0.492	0.492	1.142
EJ 60-25/2v/p6g	20536-024	39.6	44.3	28.0	21.2	9.5	42.0	29.6	14.0	14.0	32.0
EJ 60-30/2v/p6g	20556-024	1.559	1.744	1.102	0.835	0.374	1.654	1.165	0.551	0.551	1.260
EJ 66-23/2v/p6g	21616-024	39.6	48.8	28.0	25.7	9.5	42.0	29.6	14.0	14.0	32.0
		1.559	1.921	1.102	1.012	0.374	1.654	1.165	0.551	0.551	1.260
		39.6	53.8	28.0	30.7	9.5	42.0	29.6	14.0	14.0	32.0
		1.559	2.118	1.102	1.209	0.374	1.654	1.165	0.551	0.551	1.260
		43.8	47.8	32.2	23.2	10.3	46.2	31.1	14.4	14.4	33.5
		1.724	1.882	1.268	0.913	0.406	1.819	1.224	0.567	0.567	1.319

Type II



© 07/2012 by NORWE GmbH

All dimensions in mm/inch

The permissible deviations according to DIN 16901 apply as tolerances

Warranties:
refer to Terms and Conditions of Sale



Valid version of
data sheet online

QR Online-Version

NORWE GmbH

Postfach 13 56
51691 Bergneustadt
Paulstraße 5, Pernze
51702 Bergneustadt

Deutschland

Telefon +49 (0) 27 63-807-0
Telefax +49 (0) 27 63-807-77
E-mail verkauf@norwe.de
Internet www.norwe.de
www.norwe.eu

NORWE Inc.

P.O. Box 25 11
North Canton, OH 44720-0511
United States of America

Telefon +1-330 497-8113
Telefax +1-330 305-0592
E-mail usa@norwe.com
Internet www.norwe.com