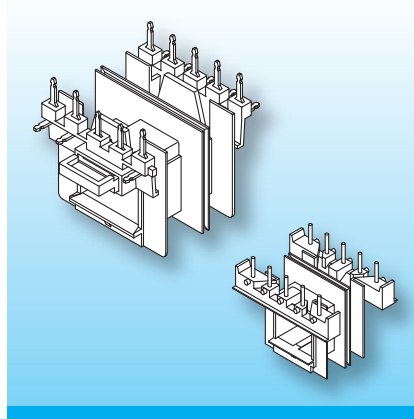


UNI EJ Coilformers

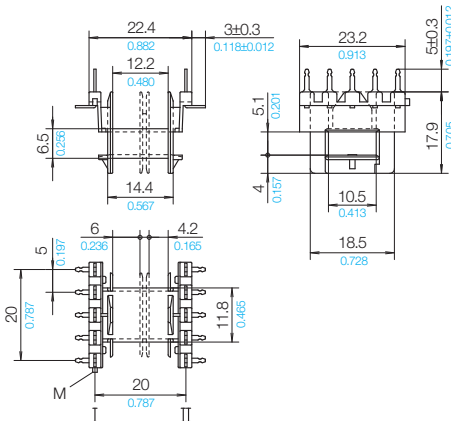
The coilformers are made in gfr Polyamide PA66 of type p6g (RTI long-range temperature +125°C) Pin material is tin bronze, tinned for solder-pins and brass, tinned for solder-tags. Max. solder temperature +350°C, 2 sec. Special materials – e.g. irradiated cross-linked – and designs on request, dimensions in mm/*inch*.



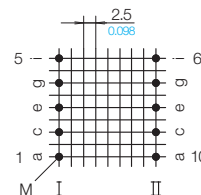
The coilformers are fitted with solder-pins and solder-tags. By fitting shrouds and insulating bridges creepage- and clearance distances of 11 mm/*0.433 inch* are achieved between primary and secondary, and 6 mm/*0.236 inch* to the core.

Elaborate description of the designs with the different implementations, see at catalogue.

| Type | Order-Code | Accessories |
|--|------------|-------------------------|
| Coilformer: EJ 30-5/1s/2g2-/5.0-ii/p6g | 20002-024 | Shroud EJ 30-5 |
| Coilformer: EJ 30-5/6-4s/2g2-/5.0-ii/p6g | 20008-024 | Insulating Bridge EJ 30 |
| Solder-tag: s14/wd | 75508-261 | |



Grid View tag-side



© 06/2012 by NORWE GmbH

All dimensions in mm/inch

The permissible deviations according to DIN 16901 apply as tolerances

Warranties:
refer to Terms and Conditions of Sale



Valid version of
data sheet online

QR Online-Version

NORWE GmbH

Postfach 13 56
51691 Bergneustadt
Paulstraße 5, Pernze
51702 Bergneustadt

Deutschland

Telefon +49 (0) 27 63-807-0
Telefax +49 (0) 27 63-807-77
E-mail verkauf@norwe.de
Internet www.norwe.de
www.norwe.eu

NORWE Inc.

P.O. Box 25 11
North Canton, OH 44720-0511
United States of America

Telefon +1-330 497-8113
Telefax +1-330 305-0592
E-mail usa@norwe.com
Internet www.norwe.com