

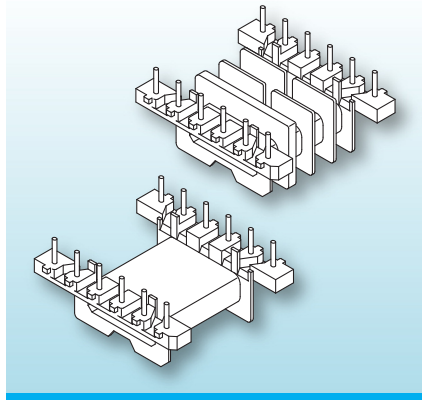
EFD – Coilformers with z8 Solder-pins

The coilformers are made in grf Polyamide PA66 of type A3X2G10 (RTI long-range temperature +115° C).


Pin material: tin bronze, tinned.

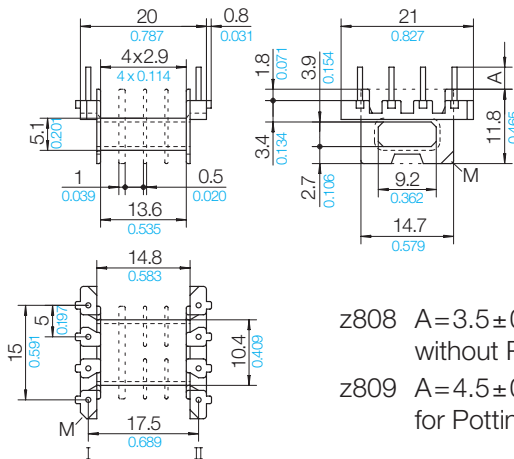
Maximum solder temperature 350° C, 2 sec.

Special materials – e.g. irradiated cross-linked – and designs on request, dimensions in mm/inch.



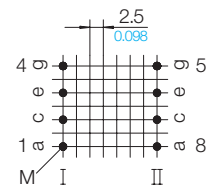
The coilformers are fitted with straight, sturdy z8 pins. Binding-on of the wires is axially. The pins are suitable for windings with thick wire. The terminal strips usually feature “noses” which provide tension-relief, and “stand-offs” which allow clean soldering of the wires and of the coilformer onto the pcb.

Type	Order-Code	Accessories
Coilformer: EFD 20/1k/8-8/2.5/A3X2G10	N0185-181 	Clip SB-EFD 20
Coilformer: EFD 20/1-3ks/8-8/2.5/A3X2G10	94803-181	
Solder-pin: z808/ua	73294-212	
Solder-pin: z809/ua	73295-212	



z808 A=3.5±0.3/0.138±0.012
without Potting Box
z809 A=4.5±0.3/0.177±0.012
for Potting Box (on request)

Grid View pin-side



08 B 0 K / 08 B 1 M

© 02/2020 by NORWE GmbH

Warranties:
refer to Terms and Conditions of Sale



Valid version of
data sheet online

QR Online-Version

NORWE GmbH

Postfach 13 56
51691 Bergneustadt
Paulstraße 5, Pernze
51702 Bergneustadt

Deutschland

Telefon +49 (0) 27 63-807-0
Telefax +49 (0) 27 63-807-77
E-mail verkauf@norwe.de
Internet www.norwe.de
www.norwe.eu

NORWE Inc.

P.O. Box 25 11
North Canton, OH 44720-0511
United States of America

Telefon +1-330 497-8113
Telefax +1-330 305-0592
E-mail usa@norwe.com
Internet www.norwe.com