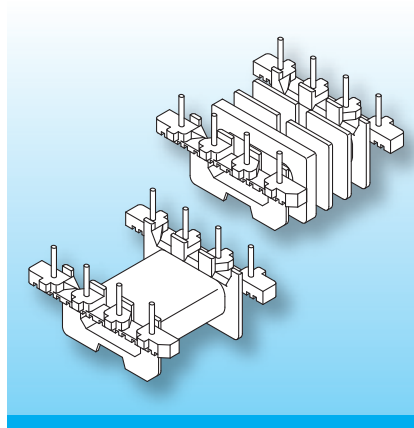



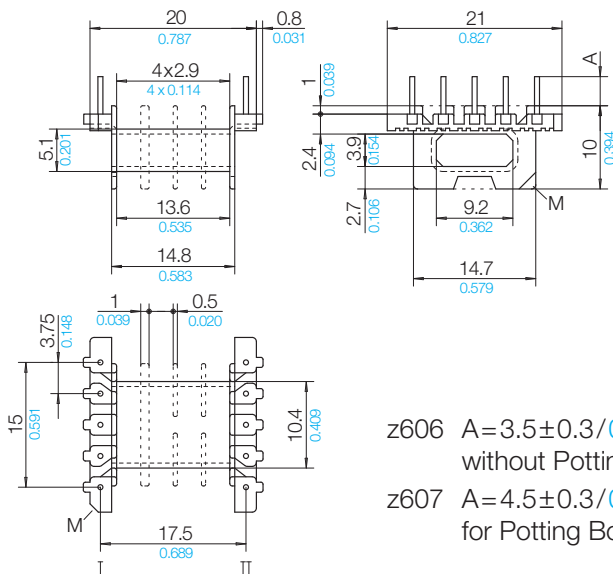
EFD – Coilformers with z6 Solder-pins

The coilformers are made in gfr Polyethylene Terephthalate PET of type rtg nat. (RTI long-range temperature +155° C).
 Pin material: tin bronze, tinned.
 Maximum solder temperature 350° C, 2 sec.
 Special materials – e.g. irradiated cross-linked – and designs on request, dimensions in mm/inch.



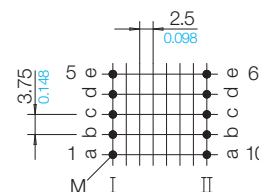
The coilformers are fitted with straight z6 pins. Binding-on of the wires is axially. The use of thin wires allows very short soldering times. The terminal strips usually feature “noses” which provide tension-relief, and “stand-offs” which allow clean soldering of the wires and of the coilformer onto the pcb.

Type	Order-Code	Accessories
Coilformer: EFD 20/1k/10-6/2.5/rtg	94323-087	Clip SB-EFD 20
Coilformer: EFD 20/1-3ks/10-6/2.5/rtg	N0182-087 	
Solder-pin: z606/ua	73262-212	
Solder-pin: z607/ua	73263-212	



z606 A=3.5±0.3/0.138±0.012
 without Potting Box
 z607 A=4.5±0.3/0.177±0.012
 for Potting Box

Grid View pin-side



© 01/2012 by NORWE GmbH

All dimensions in mm/inch

The permissible deviations according to DIN 16901 apply as tolerances

Warranties:
 refer to Terms and Conditions of Sale

NORWE GmbH

Postfach 13 56
 51691 Bergneustadt
 Paulstraße 5, Pernze
 51702 Bergneustadt
 Deutschland
 Telefon +49 (0) 27 63-807-0
 Telefax +49 (0) 27 63-807-77
 E-mail verkauf@norwe.de
 Internet www.norwe.de
 www.norwe.eu

NORWE Inc.

P.O. Box 25 11
 North Canton, OH 44720-0511
 United States of America
 Telefon +1-330 497-8113
 Telefax +1-330 305-0592
 E-mail usa@norwe.com
 Internet www.norwe.com