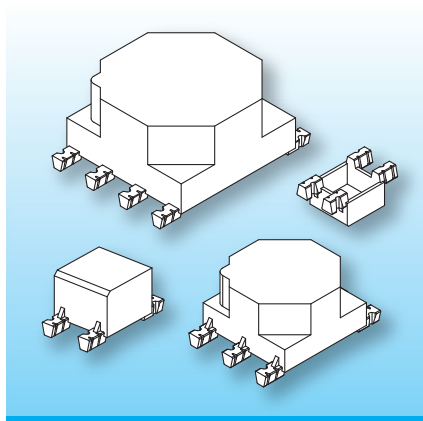


H-RG SMD Potting Boxes (LP)

The potting boxes (LP) are made in gfr Polyphenylene Sulfide PPS of type torA504 (RTI long-range temperature +130°C) and are suitable for reflow soldering. Special materials – e.g. irradiated cross-linked – and designs on request, dimensions in mm/inch.



The potting boxes have no metal terminals. Wires are connected to plastic feet, which have a V-shaped slot for wrapping. The binding-on points of the wires provide the eventual connection to the pcb. These soldering points should be brushed blank before positioning onto the pcb.

Type

Potting Box: H-RG 9.0/9.0/5.0/6LP/3.81/torA504

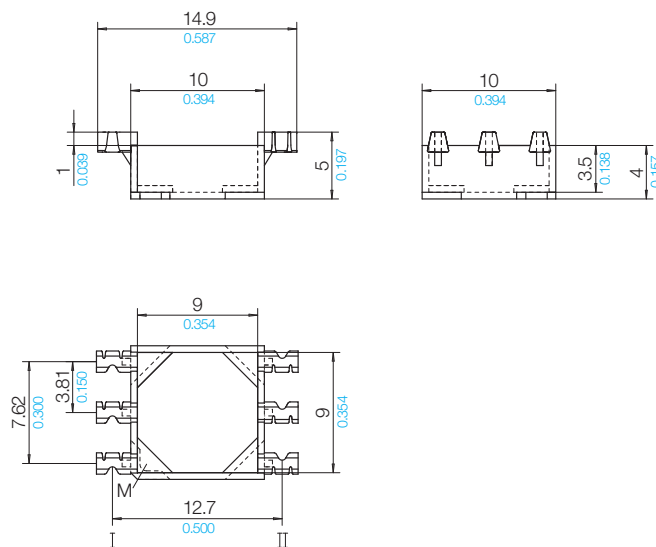
Order-Code

N0358-132 

Accessories

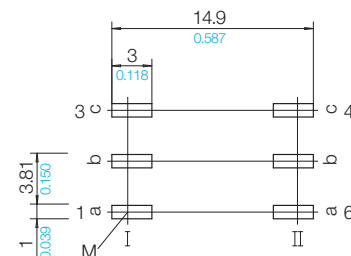
wound toroidal core

diameter $\varnothing 9.0/\varnothing 0.354$
width 3.5/0.138



Connecting Surface

View Connecting-side



© 03/2014 by NORWE GmbH

Warranties:
refer to Terms and Conditions of Sale

NORWE GmbH

Postfach 13 56
51691 Bergneustadt
Paulstraße 5, Pernze
51702 Bergneustadt
Deutschland

Telefon +49 (0) 27 63-807-0
Telefax +49 (0) 27 63-807-77
E-mail verkauf@norwe.de
Internet www.norwe.de
www.norwe.eu

NORWE Inc.

P.O. Box 25 11
North Canton, OH 44720-0511
United States of America
Telefon +1-330 497-8113
Telefax +1-330 305-0592
E-mail usa@norwe.com
Internet www.norwe.com



Valid version of
data sheet online

QR Online-Version