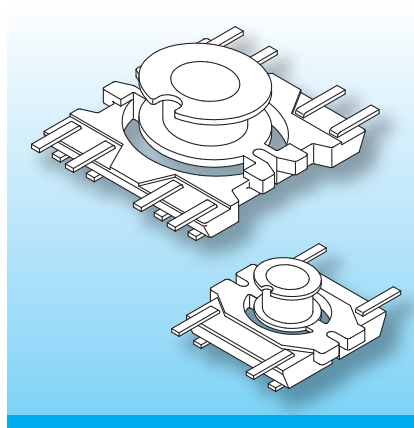


PC-SMD Coilformers (fu)

The coilformers are made in gfr Polyphenylene Sulfide PPS of type torA504 (RTI long-range temperature +130°C) and are suitable for reflow soldering.
Pin material: tin bronze, tinned.
Special materials – e.g. irradiated cross-linked – and designs on request, dimensions in mm/*inch*.



The coilformers are fitted with U-shaped terminals. This allows automatic binding-on of the wires, and after soldering leaves the pcb-side of the terminal clean and free from tin.

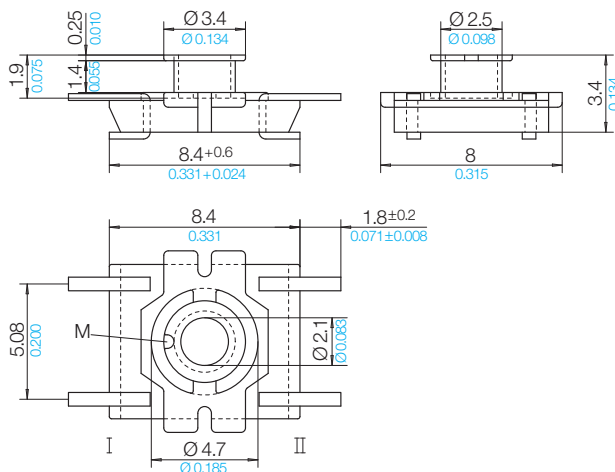
Type

Coilformer: A 4.6 x 3.1-SMD2/4f-625-/torA504
Solder-pin: fu625-67/ub

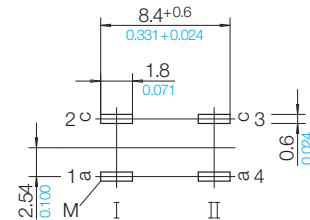
Order-Code

N0340-132  on request
75826-213

Accessories



Pin Connecting Surface View pin-side



© 08/2011 by NORWE GmbH

All dimensions in mm/*inch*

The permissible deviations according to DIN 16901 apply as tolerances

Warranties:
refer to Terms and Conditions of Sale

NORWE GmbH

Postfach 13 56
51691 Bergneustadt
Paulstraße 5, Pernze
51702 Bergneustadt
Deutschland
Telefon +49 (0) 27 63-807-0
Telefax +49 (0) 27 63-807-77
E-mail verkauf@norwe.de
Internet www.norwe.de
www.norwe.eu

NORWE Inc.

P.O. Box 25 11
North Canton, OH 44720-0511
United States of America
Telefon +1-330 497-8113
Telefax +1-330 305-0592
E-mail usa@norwe.com
Internet www.norwe.com